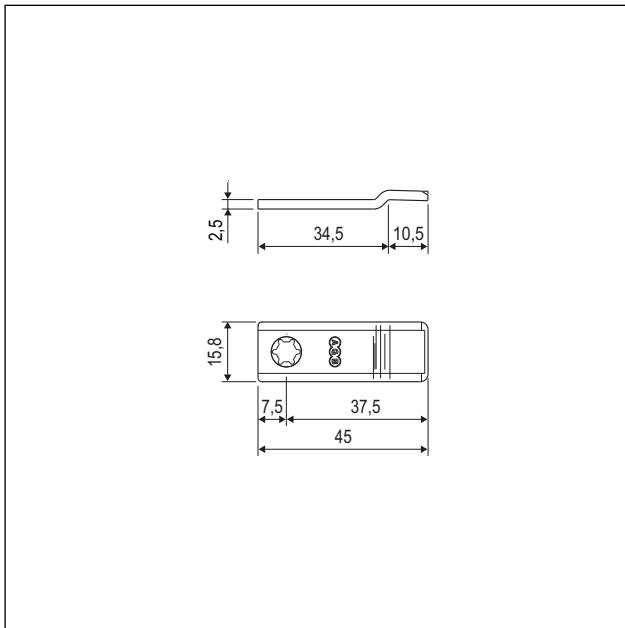


## Cover plate for parallel cut



### Description

Zamak cover plate for the trimmed component joints with parallel cut.

### Application

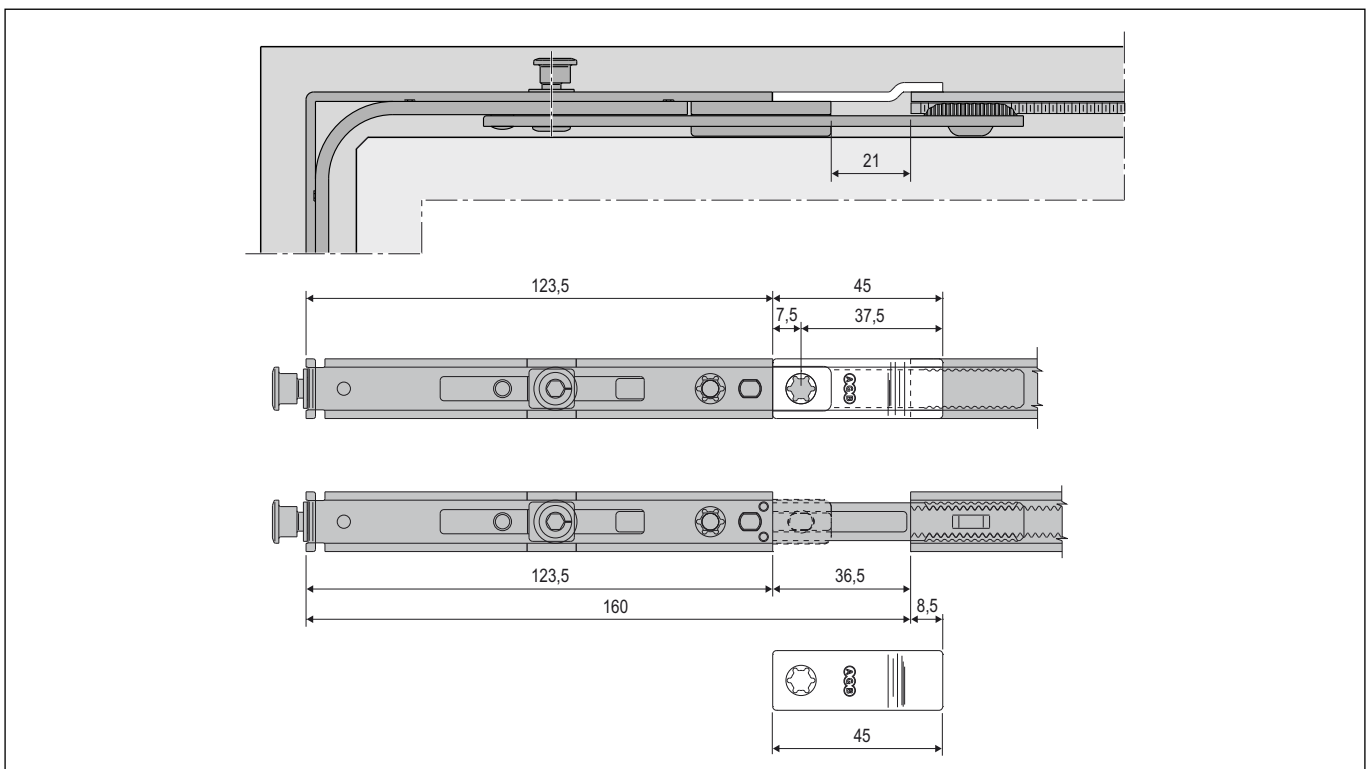
Coupled to trimmed components with parallel cut, for the connection with the GR2 corner drive and the GR1 corner drive (for parallel cut).

The parallel cut (and the use of the plate) on stay arms from GR2 to GR5, extensions, terminals and espagnolettes doesn't change the application fields which stay the same calculated using the hardware for even cut (for each component please refer to the application fields reported in the dedicated page).

In contrary, the parallel cut (and the use of the plate) on the GR1 stay arm modifies the application fields (even in this case make reference to the application fields reported in the dedicated page).

### Mounting

For PVC/Aluminium-wood/Aluminium Eurogroove doors/windows: 3.5/4.3x25 mm screws with thread suited to the material used for frame construction; for wooden doors/windows: 3.5x35 mm to 4x40 mm screws.



### Order Specifications

Article	
A50194.01.00	