

## DSS, security and lift device



### Description

DSS, security and lift device, quickly applicable to the Artech espagnolette, allows to prevent any possible yielding or lowering of the sash. The orientation is reversible and the adjustment is firm and precise.

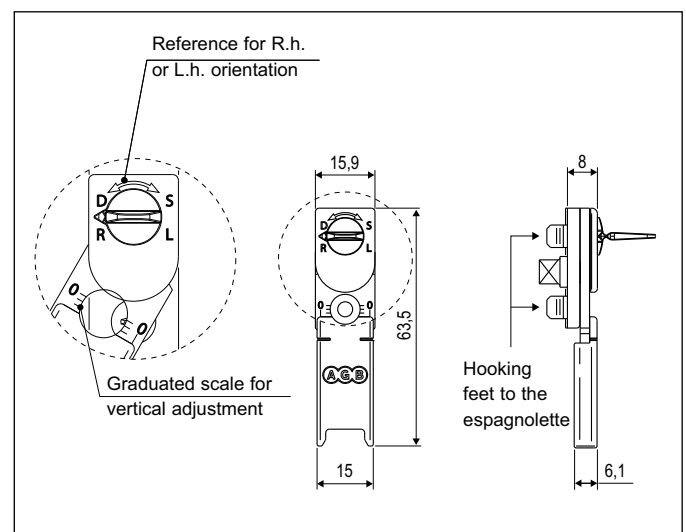
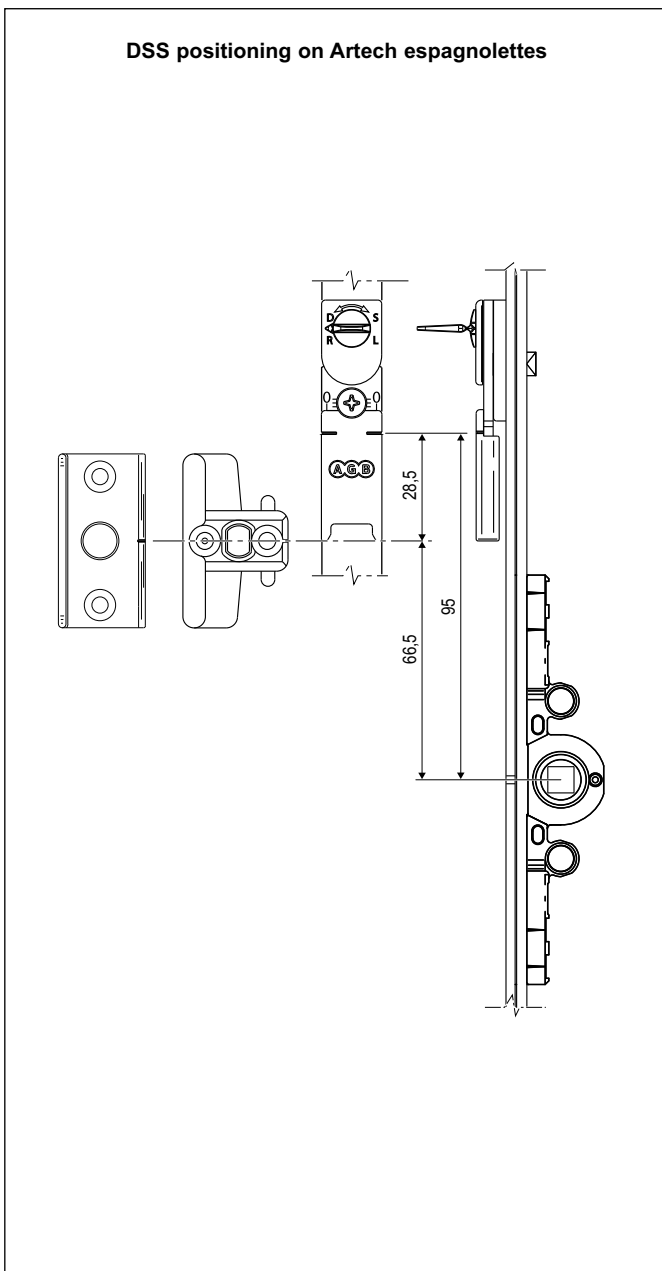
### Application

Designed for mounting on espagnolettes (from GR2) 502, 588, with variable handle height and variable with cylinder. It is mounted as a standard on espagnolettes with fixed handle height and fixed handle height with cylinder.

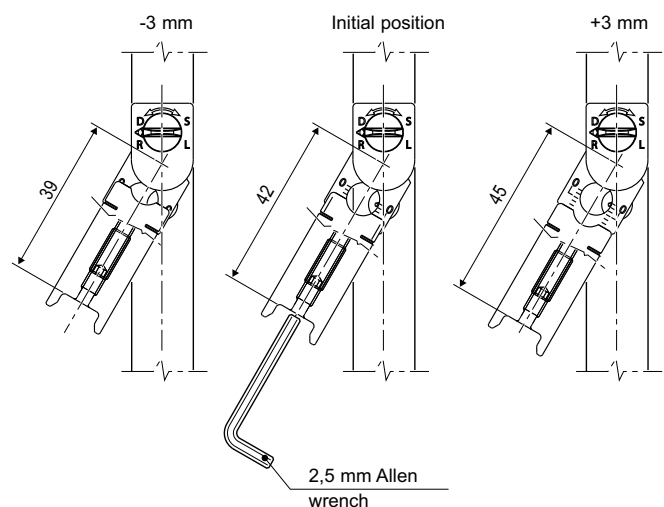
To reach the left-hand or right-hand orientation, turn the plastic pin half a turn (180° degrees).

Pull out the pin only when the rotation is completed in order to protect the DSS spring.

In order to change orientation, to the DSS has to be in the backup position.



### Vertical adjustment of DSS



### Order Specifications

Article	
A50190.00.00	