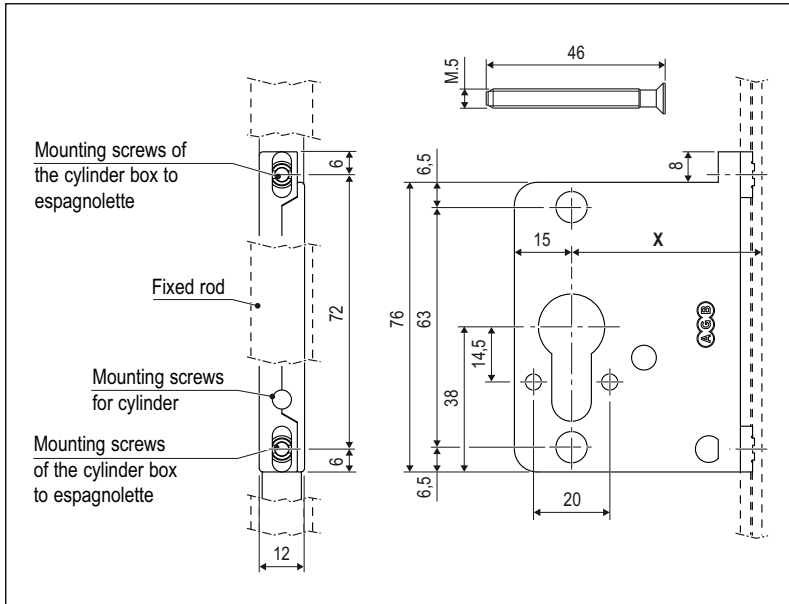
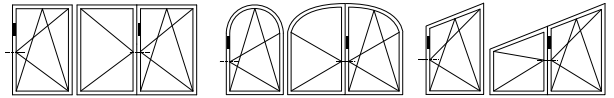


Cylinder monobloc



Description

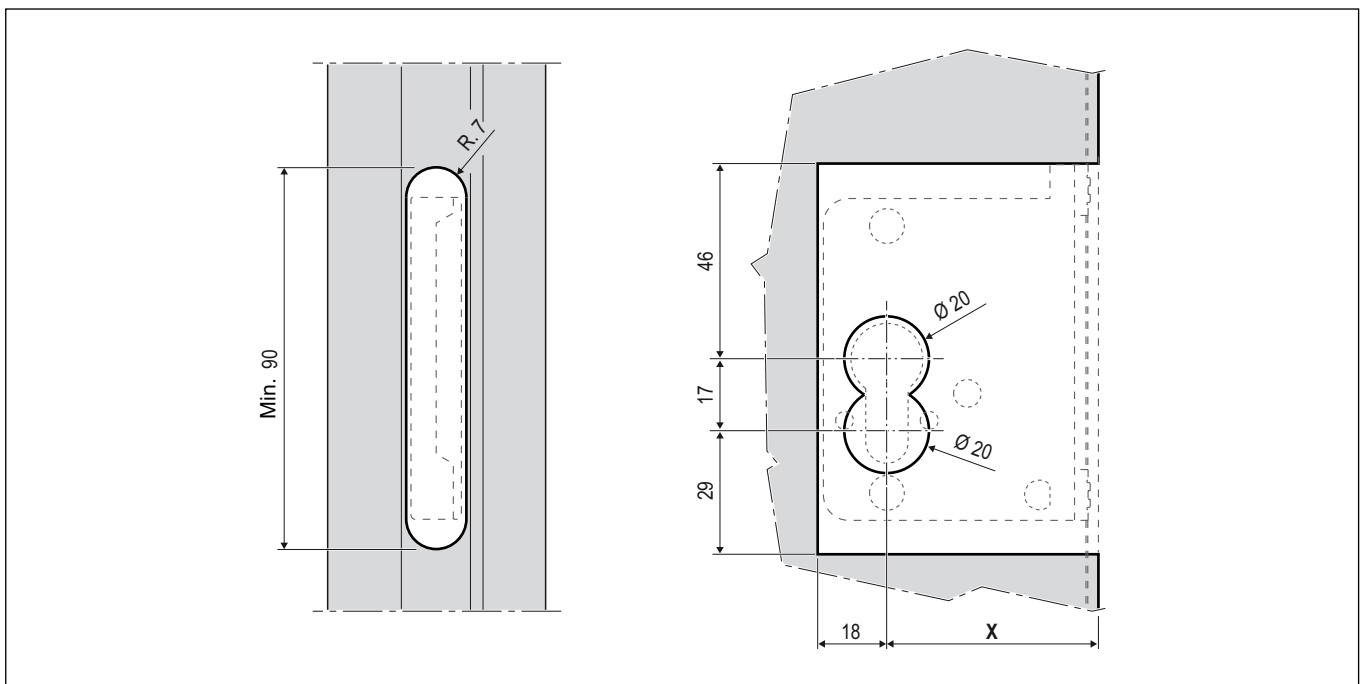
Cylinder box for espagnolette, available for backset 30, 35, 40 and 50 mm.

Application

To replace a damaged component or to change the currently installed backset.

Mounting

Screwed on the faceplate of the espagnolette using appropriate screws.



Order Specifications

Article	X (Backset)
A50192.30.00	30
A50192.35.00	35
A50192.40.00	40
A50192.50.00	50