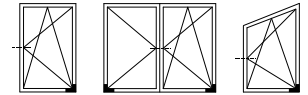
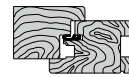
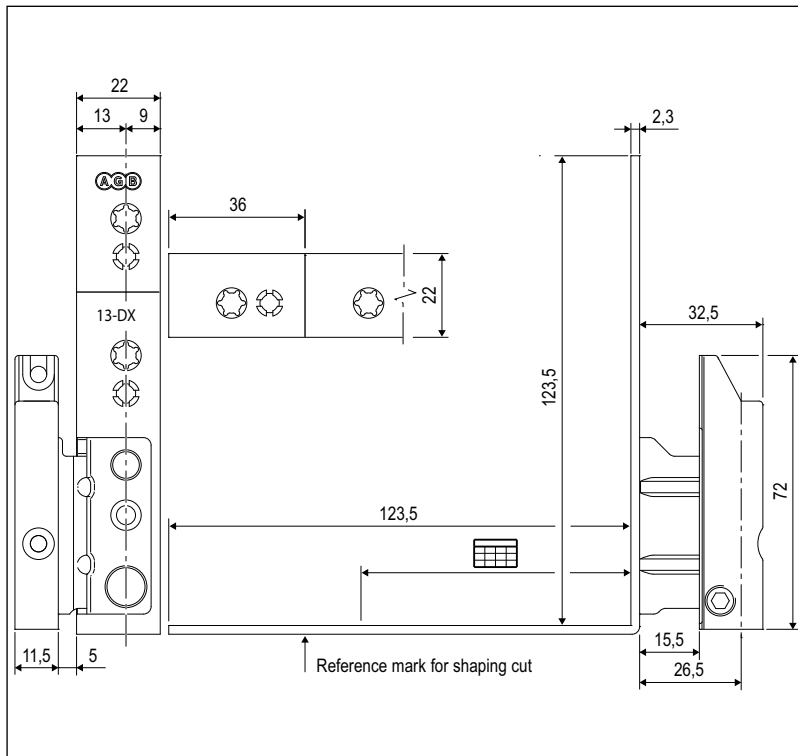


Corner hinge without adapter shim - gap 4/12, axis 13, rebate 18 mm



Description

Rh or lh corner hinge for wooden systems, in the version without adapter shim for eurogroove 16/12 in zamak.

Use

For wooden doors/windows, gap 4/12 mm, axis 13, rebate 18 mm.

The corner without adaptors can be used:

- on rectangular balcony doors, where, depending on the need, you can apply plastic shim art. A50999.00.00;
- on arched and angled balcony doors, coupled to the corner drive for arched and angled windows A50320.00.01, to transmit motion from the transom to jamb.

Adjustment

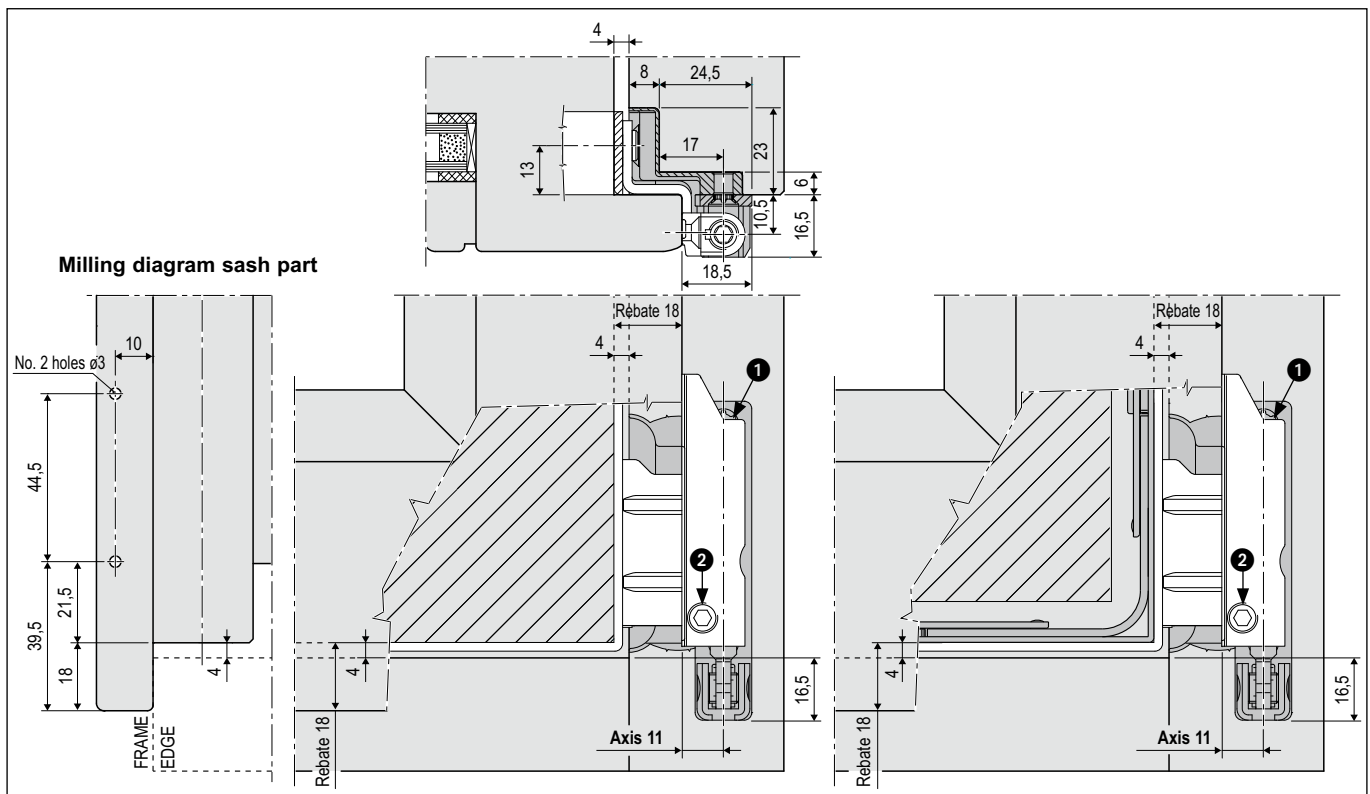
With 4 mm hexagonal wrench:

- 1 vertical adjustment +4/-3 mm;
- 2 pressure adjustment ±1 mm.

Fastening

4x40 mm screws, + n° 2 3.5x35 mm to 4x40 mm screws on the rebate.

Note. It is advisable to predrill holes before screwing in the two screws on the rebate against the sash.



Order Specifications

| Article | Gap | Axis | Rebate | Type |
|--------------|------|------|--------|-------------------------|
| A50902.34.01 | 4/12 | 13 | 18 | rh Without adapter shim |
| A50902.34.02 | 4/12 | 13 | 18 | lh Without adapter shim |

Screw hole position

| | Ref D-C | Ref D-A |
|----|---------|---------|
| 1° | 29 | - |
| 2° | 71 | 35 |
| 3° | 107 | 71 |
| 4° | - | 107 |