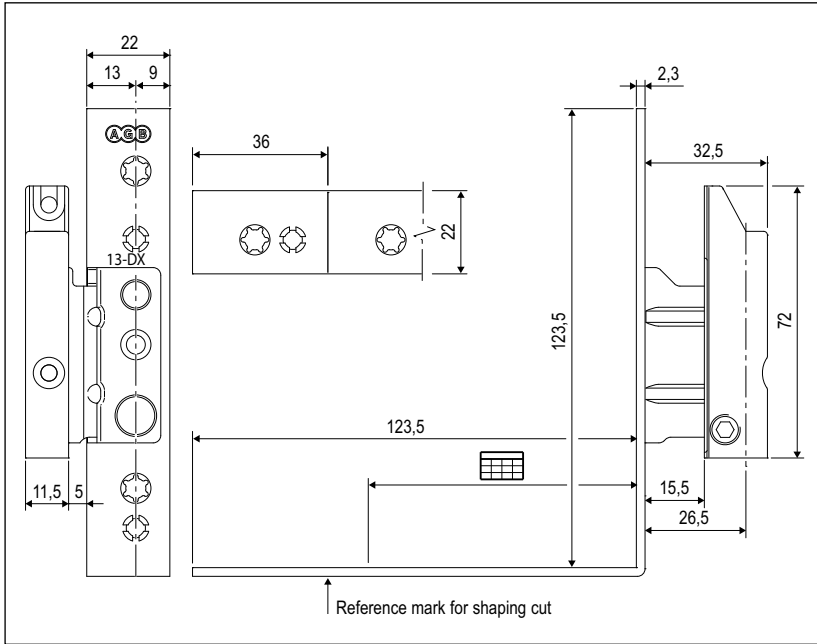
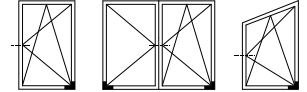
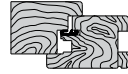


Corner hinge for aluminium transom without adapter shim - gap 4/12, axis 13, rebate 18 mm



Description

Rh or Lh corner hinge for aluminum transom, in version without adapter shim for eurogroove 16/12 in zamak.

Use

For wooden doors/windows, gap 4/12 mm, axis 13, rebate 18 mm.

The corner without adaptors can be used:

- on rectangular balcony doors, where, depending on the need, you can apply plastic shim art. A50999.00.00;
- on arched and angled balcony doors, coupled to the corner drive for arched and angled windows A50320.00.01, to transmit motion from the transom to jamb.

Adjustment

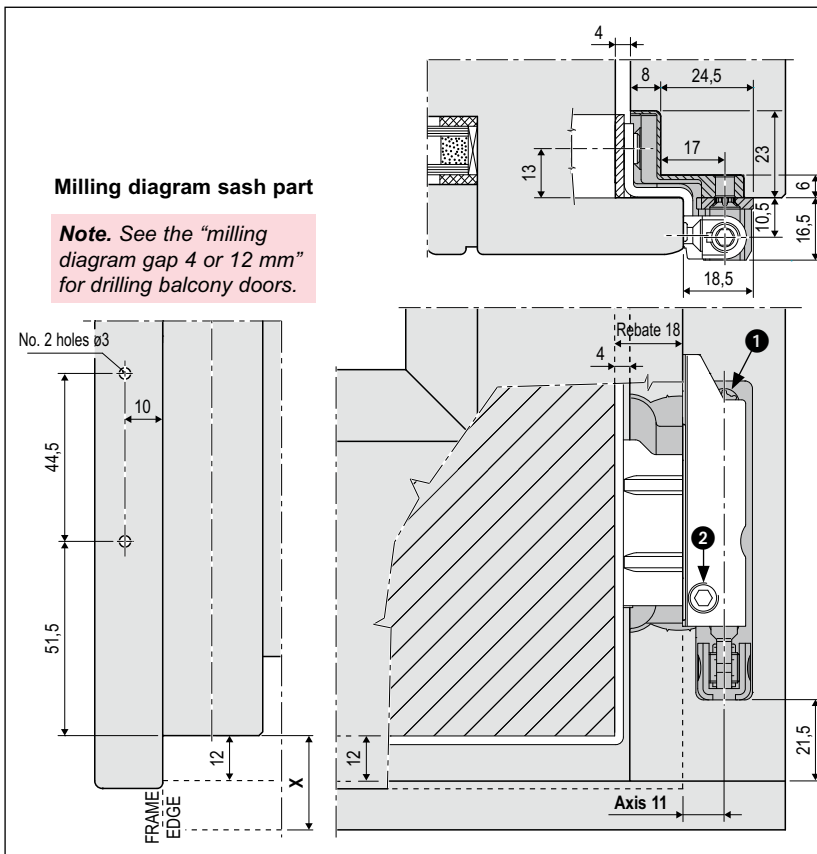
With 4 mm hexagonal wrench:

- 1 vertical adjustment +4/-3 mm;
- 2 pressure adjustment ±1 mm.

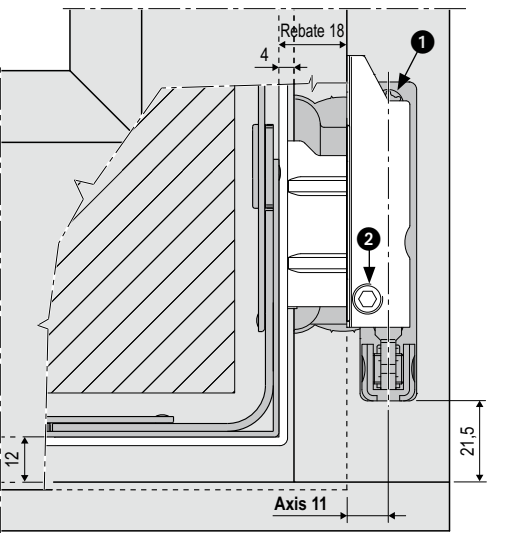
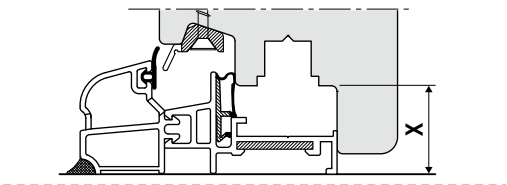
Fastening

4x40 mm screws, + n° 2 3.5x35 mm to 4x40 mm screws on the rebate.

Note. It is advisable to predrill holes before screwing in the two screws on the rebate against the sash.



If the distance X from eurogroove 16/12 to the floor is greater than or equal to 22 mm you can use the brackets for windows and related hole height.



Order Specifications

| Article | Gap | Axis | Rebate | Type | |
|--------------|------|------|--------|------|---|
| A50903.34.01 | 4/12 | 13 | 18 | rh | Corner hinge for aluminium transom without adapter shim |
| A50903.34.02 | 4/12 | 13 | 18 | lh | Corner hinge for aluminium transom without adapter shim |

Screw hole position

| | Ref D-C | Ref D-A |
|----|---------|---------|
| 1° | 21 | - |
| 2° | 59 | 35 |
| 3° | 107 | 71 |
| 4° | - | 107 |