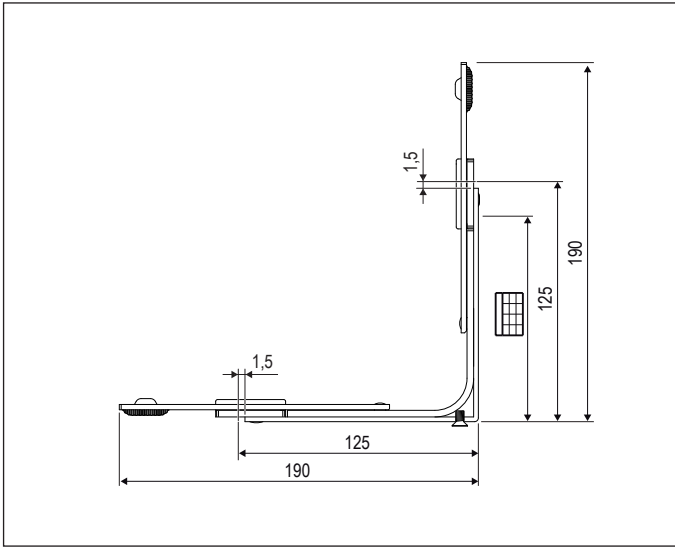
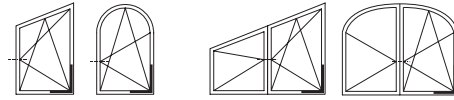
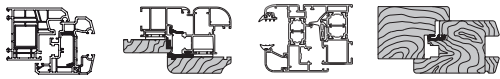


GR2 - 125x125 for arched and angled window hinge



Description

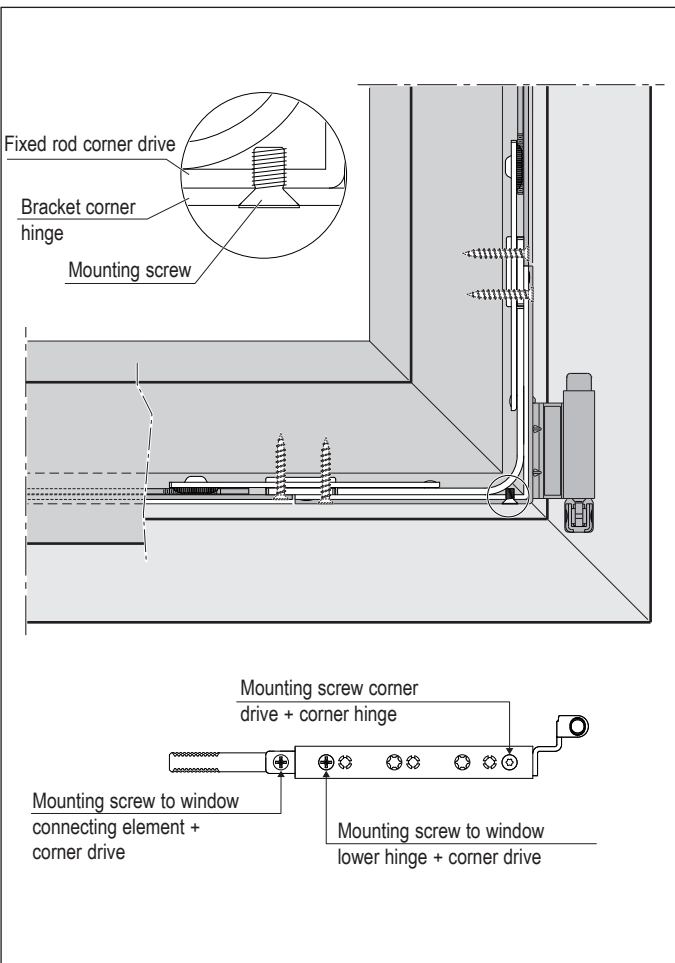
Connecting element that transmits the movement from the transom to the jamb near the corner hinge for Tilt&Turn windows.

Application

Used together with the corner hinge for arched window A50915.XX.01 and A50915.XX.02 or for wood A50902.XX.XX and A50903.XX.XX to transmit movement from the bottom rail to the jamb side.

Mounting

For PVC/Aluminium-wood/Aluminium Euro-groove doors/windows: 3.5/4.3x25 mm screws with thread suited to the material used for frame construction; for wooden doors/windows: 3.5x35 mm to 4x40 mm screws.



Application range of the connectable components [mm]

SRW			
Corner drive GR2		Espagnolette GR1 - Corner drive double cam	
Min.	Max.	Min.	Max.
456	706	516	766

Screw hole position

Screw	GR2	
	Ref D-C	Ref D-A
1°	107	107
2°	131	131

Order Specifications

GR	Article	
2	A50320.00.01	123,5x123,5