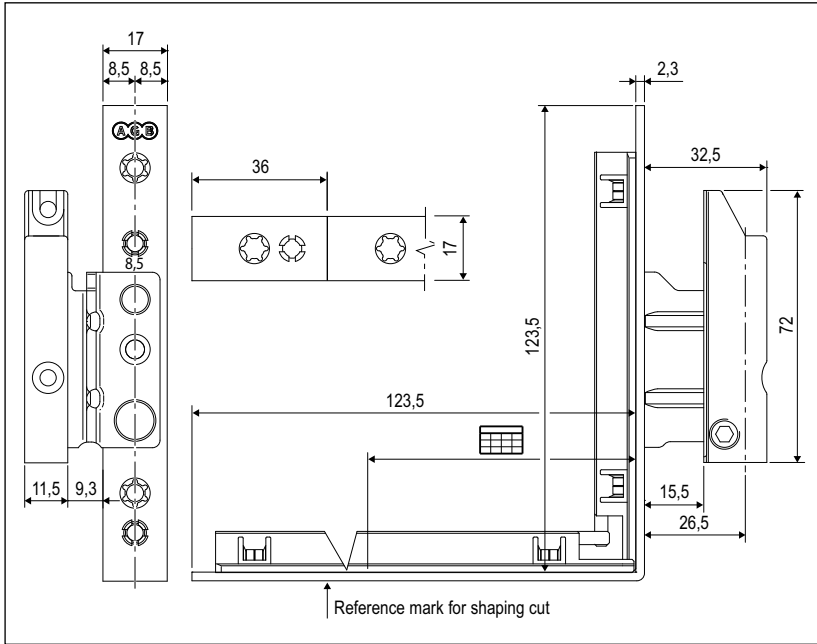
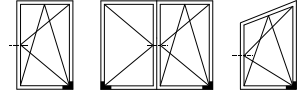
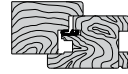


Corner hinge for aluminium transom with adapter shim - gap 4/12, axis 13, rebate 18 mm



Description

Rh or Lh corner hinge for aluminum transom, in version with adapter shim for eurogroove 16/12 in zamak.

Use

For wooden doors/windows, gap 4/12 mm, axis 13, rebate 18 mm.

The corner with adaptors can be used:

- on rectangular balcony doors;
- on angled balcony doors in systems that do not include central locks on the hinge side jamb.

Adjustment

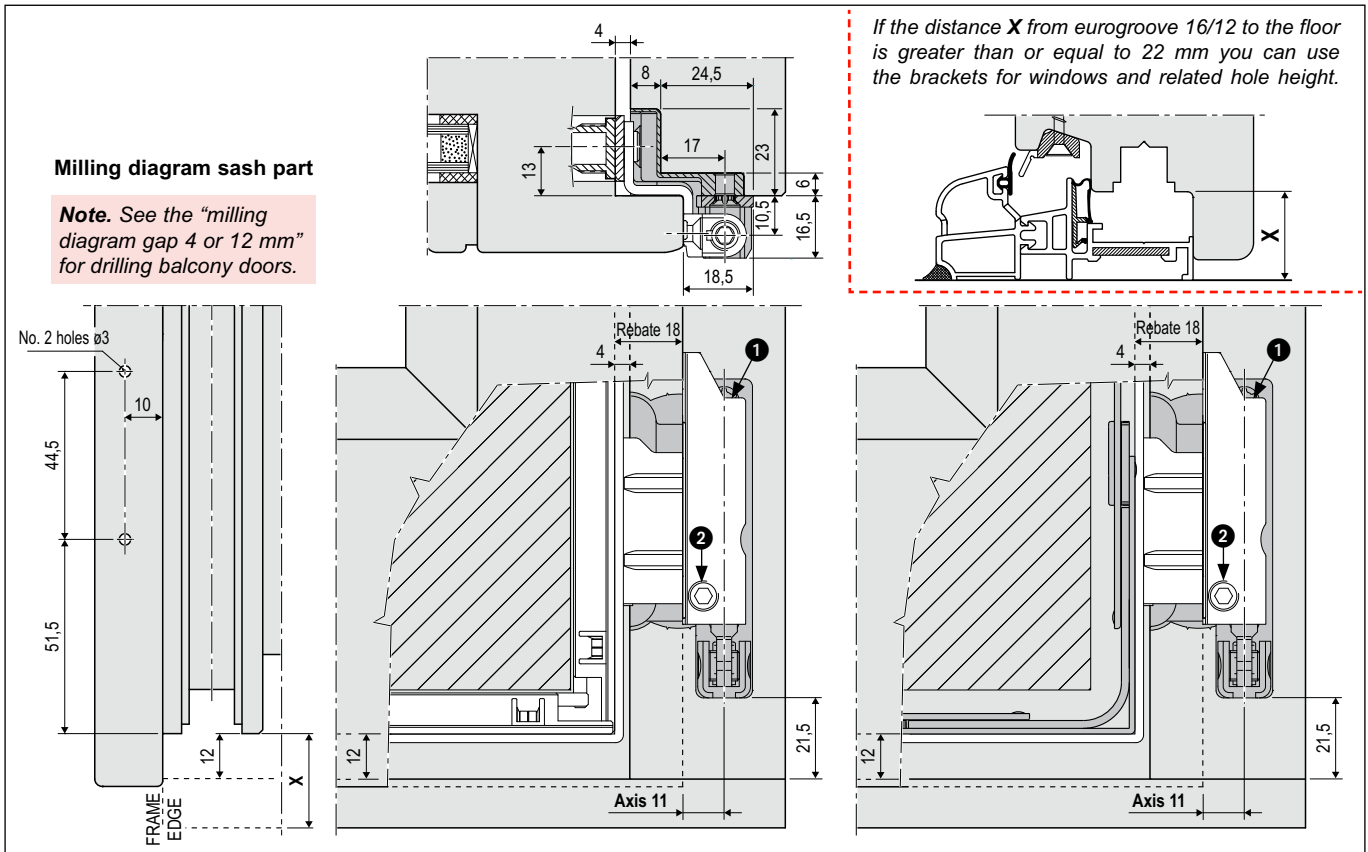
With 4 mm hexagonal wrench:

- 1 vertical adjustment +4/-3 mm;
- 2 pressure adjustment ±1 mm.

Fastening

4x40 mm screws, + n° 2 3.5x35 mm to 4x40 mm screws on the rebate.

Note. It is advisable to predrill holes before screwing in the two screws on the rebate against the sash.



Order Specifications

Article	Gap	Axis	Rebate	Type	
A50904.34.01	4/12	13	18	rh	Corner hinge for aluminium transom with adapter shim
A50904.34.02	4/12	13	18	lh	Corner hinge for aluminium transom with adapter shim

Screw hole position

	Ref D-C	Ref D-A
1°	21	-
2°	59	35
3°	107	71
4°	-	107