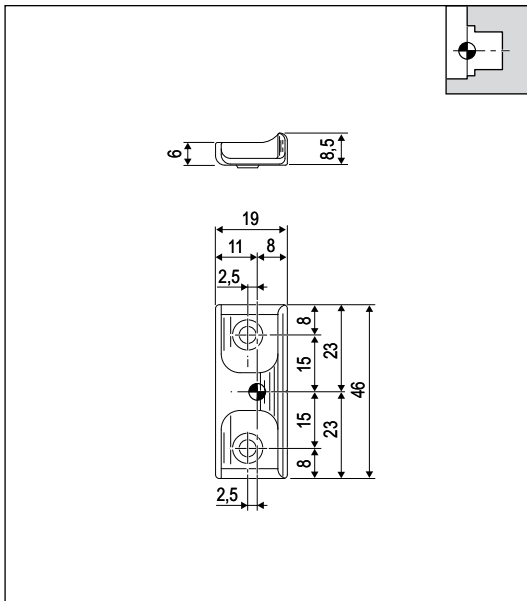
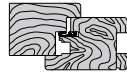


# Cam



Gap 12 mm, axis 9 mm, 20 mm seat



Opening system	All
Stroke	18+18 mm
Material	Zamak
Mounting	N° 2 3.5x35 mm to 4x40 mm screws.

### Order Specifications

Article	Dimensions mm
A51400.12.02	17x46x8

