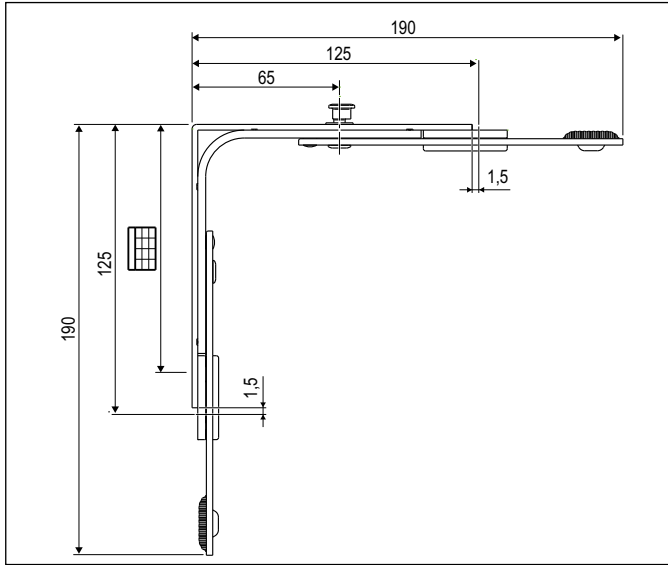
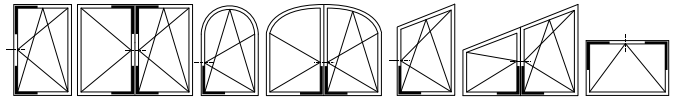


GR2 - 125x125 with 1 cam



Description

Connecting element that transmits the movement from the jamb to the transom of the sash.

As standard, adjustable mushroom cam $\pm 1,5$ mm in height ± 1 mm in pressure with a 4 mm Allen wrench and 18+8 mm stroke.

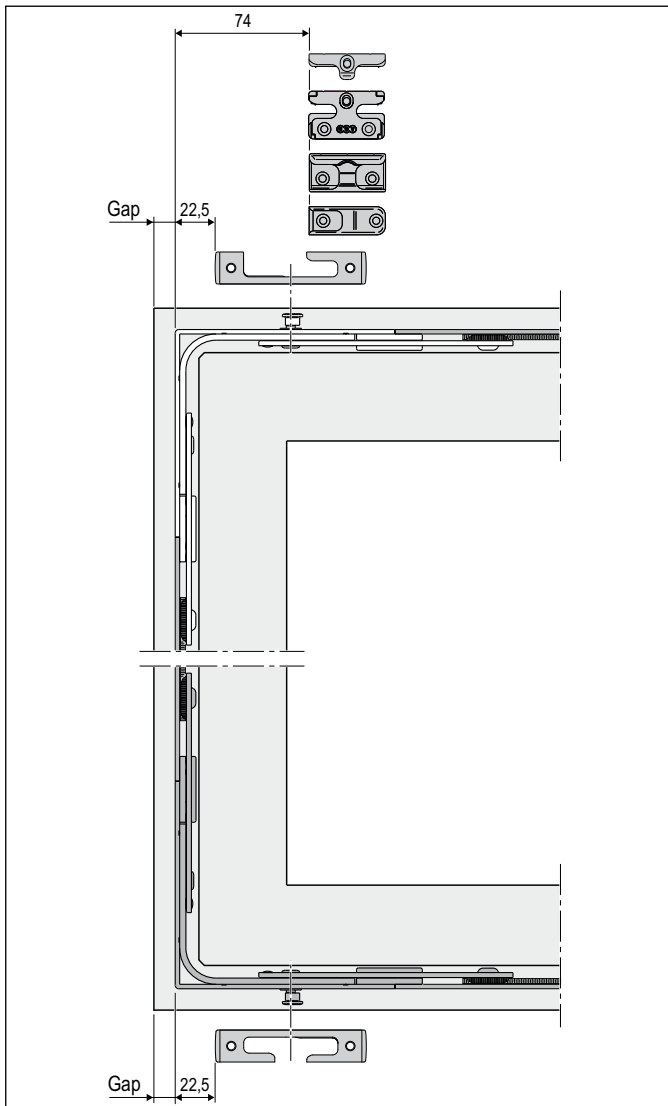
Application

Drive element for movement or closing, coupled with espagnolettes or extensible bolts/closing lever A51513.29.01.

For PVC window/doors only the espagnolette or bolt above can be used.

Mounting

For PVC/Aluminium-wood/Aluminium Euro-groove doors/windows: 3.5/4.3x25 mm screws with thread suited to the material used for frame construction; for wooden doors/windows: 3.5x35 mm to 4x40 mm screws.



Application range of the connectable components [mm]

GR	SRW		SRH			
	Stay arm		Espagnolette		Variable espagnolette	
	Min.	Max.	Min.	Max.	Min.	Max.
1	362 *	490	440 *	620	540	710
2	476	604	610	810	660	860
3	594	804	794	1010	820	1220
4	794	1004	994	1210	1190	1610
5	994	1204	1194	1410	1590	2010
6			1394	1610	1890	2510
7			1594	1810		
7bis			1634	1810		
8			1794	2110		
9			1994	2310		
10			2194	2510		

NOTE:

* For lower SRW or SRH you need to use a corner drive GR1.

- SRH of the GR 7 bis 8,9,10 in the espagnolette refer to handle height 1050 mm.

Screw hole position

	GR2	
	Ref B-A	Ref B-C
1°	107	107
2°	131	131

Application range of the connectable components [mm]

	SRW Min. hinge
	322
	287

Order Specifications

GR	Article					
2	A50302.01.02	362-1204 *	440-2510	123,5x123,5	1	* Use of extensions excluded