

Electric striker for Opera SL and Sicurezza SL for rebated doors, long lip - 25x250 mm forend



Description

Steel striker suitable for electric device or replacement insert.

Application

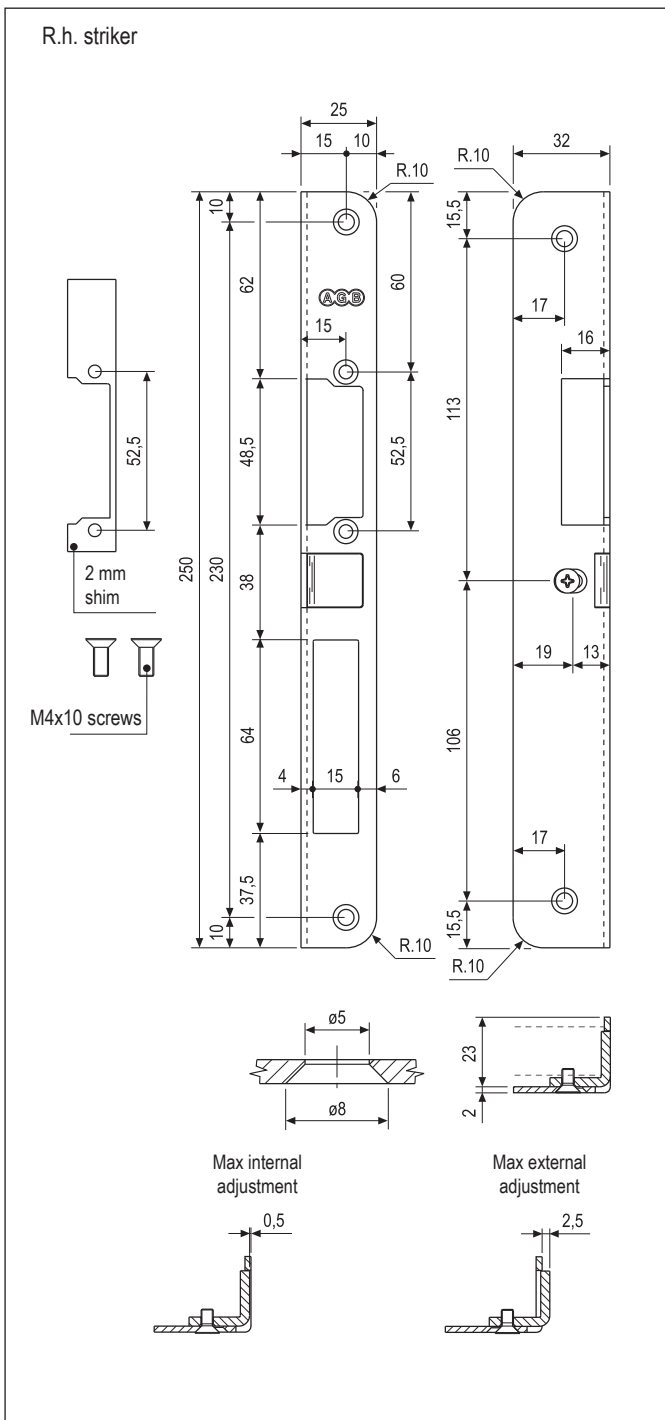
Electric striker for Opera SL, Sicurezza SL and Sicurezza 2.0, compatible with Opera locks and security latch, for rebated doors with total lip.

Fastening

Apply the striker flush to the frame edge and fasten with 4 screws $\varnothing 4$ mm of a suitable length.

Attention!

This striker is not aligned in height with the Opera SL lock forend: it is placed 28 mm higher than the lock.



Electric devices compatibility

B02800.00.06	B02600.0X.01/02	B02600.05.00 B02600.05.05
B02600.20.01 B02600.20.02 B02600.20.07 B02600.21.01 B02600.21.02	B02600.22.01	

Order specifications

Article	Type
B02802.03.XX	r.h.
B02803.03.XX	l.h.

"R.h." and "l.h." refer to pull doors according to DIN 107 regulation. Refer to the price list in force in order to check the availability of the finishes.

Electric striker for Opera SL and Sicurezza SL for rebated doors, long lip - 25x250 mm forend



Description

Pre-assembled steel striker with electric device.

Application

Electric striker for Opera SL, Sicurezza SL and Sicurezza 2.0, pre-assembled with electric device, compatible with Opera locks and security latch, for rebated doors with total lip.

Moving the latch cover-tray, it is possible to adjust the door in pressure.

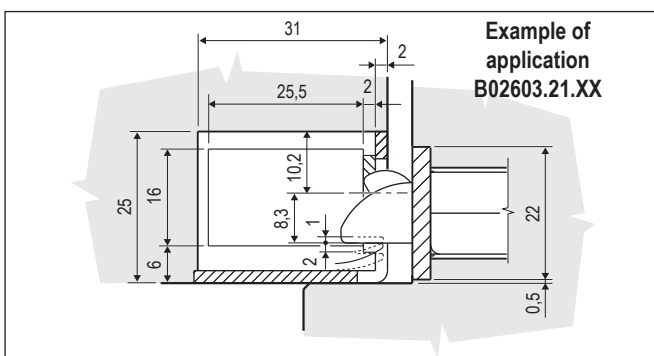
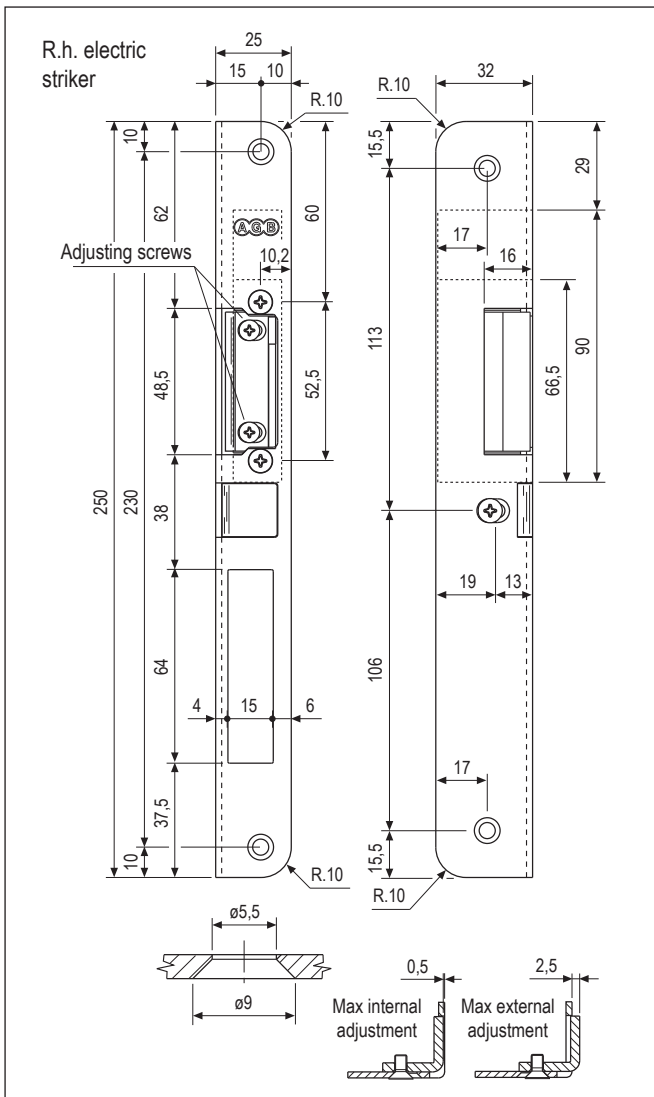
For further information, please consult the page of the electric device installed.

Fastening

Apply the striker flush to the frame edge and fasten with 4 screws $\varnothing 4$ mm of a suitable length.

Attention!

This striker is not aligned in height with the Opera SL lock forend: it is placed 28 mm higher than the lock.



Order Specifications

Article	Type	Repeater	Manual release lever	Electric device
B02603.21.XX	rh	NO	NO	B02600.20.01
B02604.21.XX	lh			
B02603.22.XX	rh	NO	YES	B02600.20.02
B02604.22.XX	lh			
B02603.31.XX	rh	YES	NO	B02600.21.01
B02604.31.XX	lh			
B02603.32.XX	rh	YES	YES	B02600.21.02
B02604.32.XX	lh			
B02603.01.XX	rh	NO	NO	B02600.01.01
B02604.01.XX	lh	NO	NO	B02600.01.02
B02603.03.XX	rh	SI	NO	B02600.03.01
B02604.03.XX	lh	SI	NO	B02600.03.02
B02603.04.XX	rh	YES	YES	B02600.04.01
B02604.04.XX	lh	YES	YES	B02600.04.02
B02603.05.XX	rh	NO	NO	B02600.05.01
B02604.05.XX	lh	NO	NO	B02600.05.02

"R.h." and "l.h." refer to pull doors according to DIN 107 regulation. For security reasons, in hotels we suggest to use the strikers without repeater and without manual release lever. Refer to the price list in force in order to check the availability of the finishes.

Electronic device data table (collected at 20° C)

	B02600.01.OX B02600.03.OX B02600.04.OX B02600.05.OX		
	B02600.21.OX	B02600.20.OX	
	WITH repeater	WITHOUT repeater	
Tension	12V	10V - 24V	10V - 24V
Extended power	-	11V-13V ≡ DC	11V-13V ≡ DC
Nominal resistance	7,7 Ω	43 Ω	43 Ω
≡ DC absorption (stabilized)	(12V) 1560 mA (24V) 1560 mA	280 mA 560 mA	280 mA 560 mA
~ AC absorption	(12V) 1100 mA (24V) 1100 mA	250 mA 500 mA	250 mA 500 mA
Max latch preloading ≡ DC (stabilized)	(12V) 30N (24V) 30N	45N 45N	50N 200N
Max latch preloading ~ AC	(12V) 120N (24V) 120N	45N 45N	200N 350N
Antiburglar resistance	3000N	3750N	3750N

Note. On doors with high acoustic abatement we suggest the use with 12V ~ AC or 24V ≡ DC.