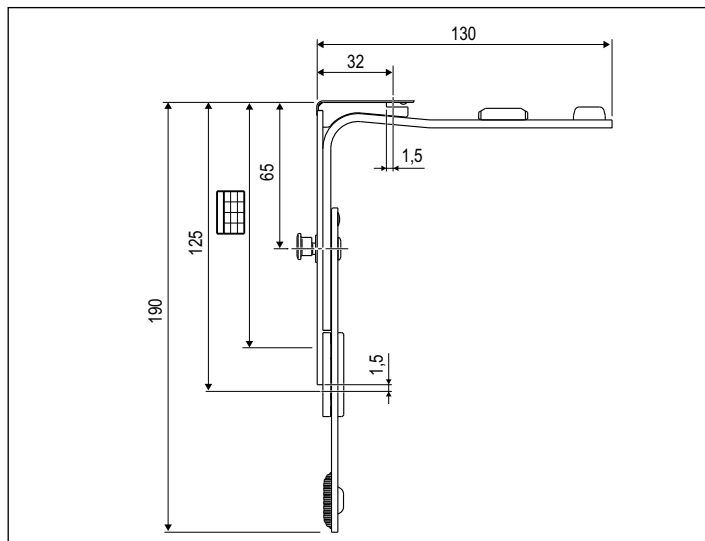
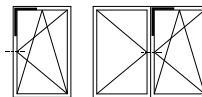


GR1 - 30x125 with 1 cam



Description

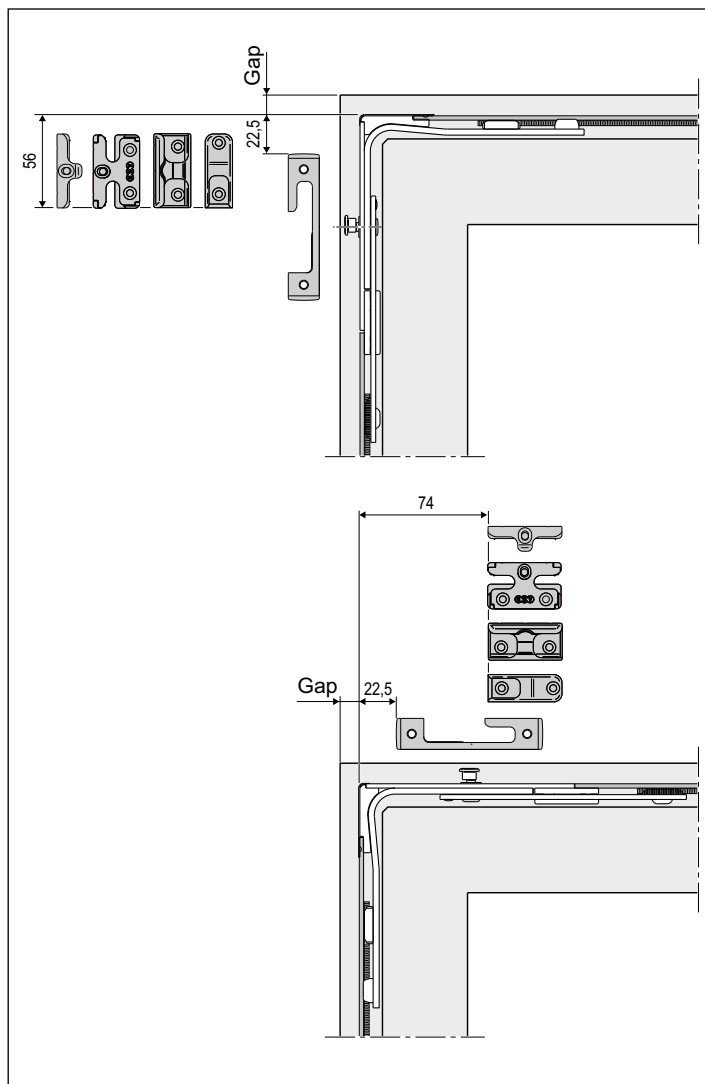
Connecting element that transmits the movement from the jamb to the transom, in case of tight sashes. As standard, adjustable mushroom cam $\pm 1,5$ mm in height ± 1 mm in pressure with a 4 mm Allen wrench, 18+8 mm stroke.

Application

It is used to connect the espagnolette to the stay arm, in order to be able to reach the lower SRW at 362 mm. By turning it, with the 30 mm side on the jamb, coupled with espagnolette GR1 allows an SRH up to 357 mm.

Mounting

For PVC/Aluminium-wood/Aluminium Euro-groove doors/windows: 3.5/4.3x25 mm screws with thread suited to the material used for frame construction; for wooden doors/windows: 3.5x35 mm to 4x40 mm screws.



Application range of the connectable components [mm]

| GR | SRW | | | | SRH | | | | | | | | | |
|-------|--------------------------------------|------|--------------------------------------|------|-------------------------------|----------------------|-------------------------------|-------------------------|----------------------------------|-------------------------|----------------------------|-------------------|------|------|
| | Stay arm (straight GR1 corner drive) | | Stay arm (Inverted GR1 corner drive) | | Espagnolette, fixed handle H | | | | Espagnolette, variable handle H | | | | | |
| | Min. | Max. | Min. | Max. | Inverted top corner drive GR1 | Top corner drive GR1 | Inverted top corner drive GR1 | Bottom corner drive GR1 | Inverted bottom corner drive GR1 | Bottom corner drive GR1 | Inverted corner drives GR1 | Corner drives GR1 | | |
| 0 | - | - | - | - | - | - | - | - | - | - | 312 | 476 | 470 | 662 |
| 1 | 277 | 397 | 370 | 490 | 357 | 527 | 440 | 620 | - | - | 398 | 526 | 540 | 710 |
| 2 | 383 | 511 | 476 | 604 | 435 | 625 | 610 | 810 | 527 | 717 | 546 | 674 | 660 | 860 |
| 3 | 501 | 711 | 594 | 804 | 618 | 824 | 794 | 1010 | 711 | 917 | 622 | 1034 | 788 | 1220 |
| 4 | 701 | 911 | 794 | 1004 | 808 | 1024 | 994 | 1210 | 901 | 1117 | 1004 | 1424 | 1178 | 1610 |
| 5 | 901 | 1111 | 994 | 1204 | 1008 | 1224 | 1194 | 1410 | 1101 | 1317 | 1404 | 1824 | 1578 | 2010 |
| 6 | | | | | 1208 | 1424 | 1394 | 1610 | 1301 | 1517 | 1699 | 2324 | 1878 | 2510 |
| 7 | | | | | 1408 | 1624 | 1594 | 1810 | 1501 | 1717 | | | | |
| 7bis* | | | | | 1460 | 1624 | 1634 | 1810 | 1553 | 1717 | | | | |
| 8* | | | | | 1614 | 1924 | 1794 | 2110 | 1707 | 2017 | | | | |
| 9* | | | | | 1808 | 2124 | 1994 | 2310 | 1901 | 2217 | | | | |
| 10* | | | | | 2008 | 2324 | 2194 | 2510 | 2101 | 2417 | | | | |

* Handle height 1050 mm.

Screw hole position

| | GR1 | |
|----|---------|---------|
| | Ref B-A | Ref B-C |
| 1° | 107 | 120 |
| 2° | 131 | - |

Order Specifications

| GR | Article | ↔ | ↕ | 📏 | 🔩 | |
|----|--------------|----------|------------|------------|---|------------------------------|
| 1 | A50302.01.01 | 277-1111 | 357-2510 * | 123,5x30,5 | 1 | * Use of extensions excluded |