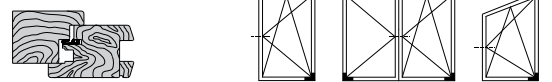
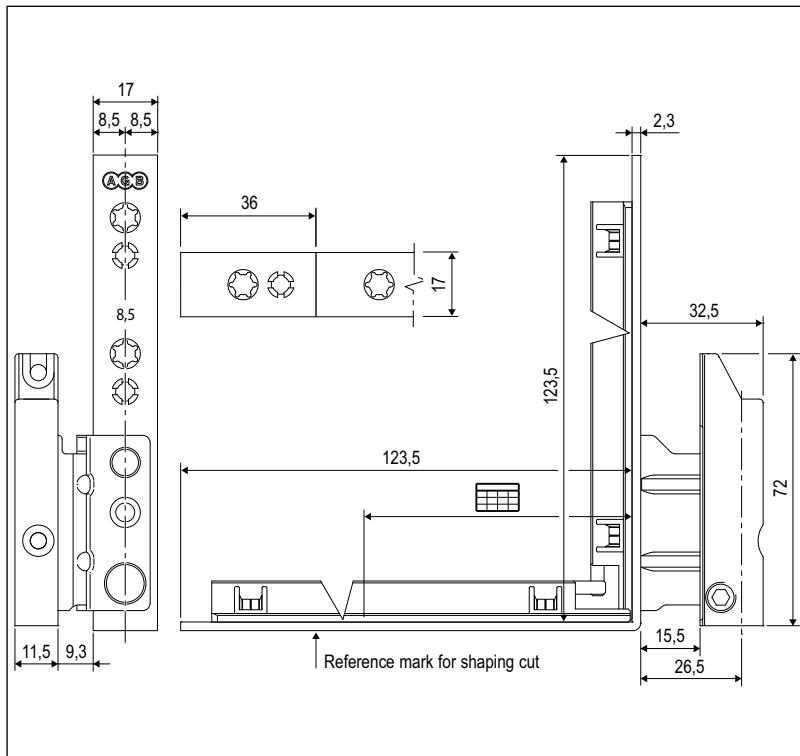


# Corner hinge with adapter shim - gap 4/12, axis 13, rebate 18 mm



**Description**

Rh or lh corner hinge for wooden systems, in the version with adapter shim for eurogroove 16/12 in zamak.

**Use**

For wooden doors/windows, gap 4/12 mm, axis 13, rebate 18 mm.

The corner with adaptors can be used:

- on rectangular balcony doors;
- on angled balcony doors in systems that do not include central locks on the hinge side jamb.

**Adjustment**

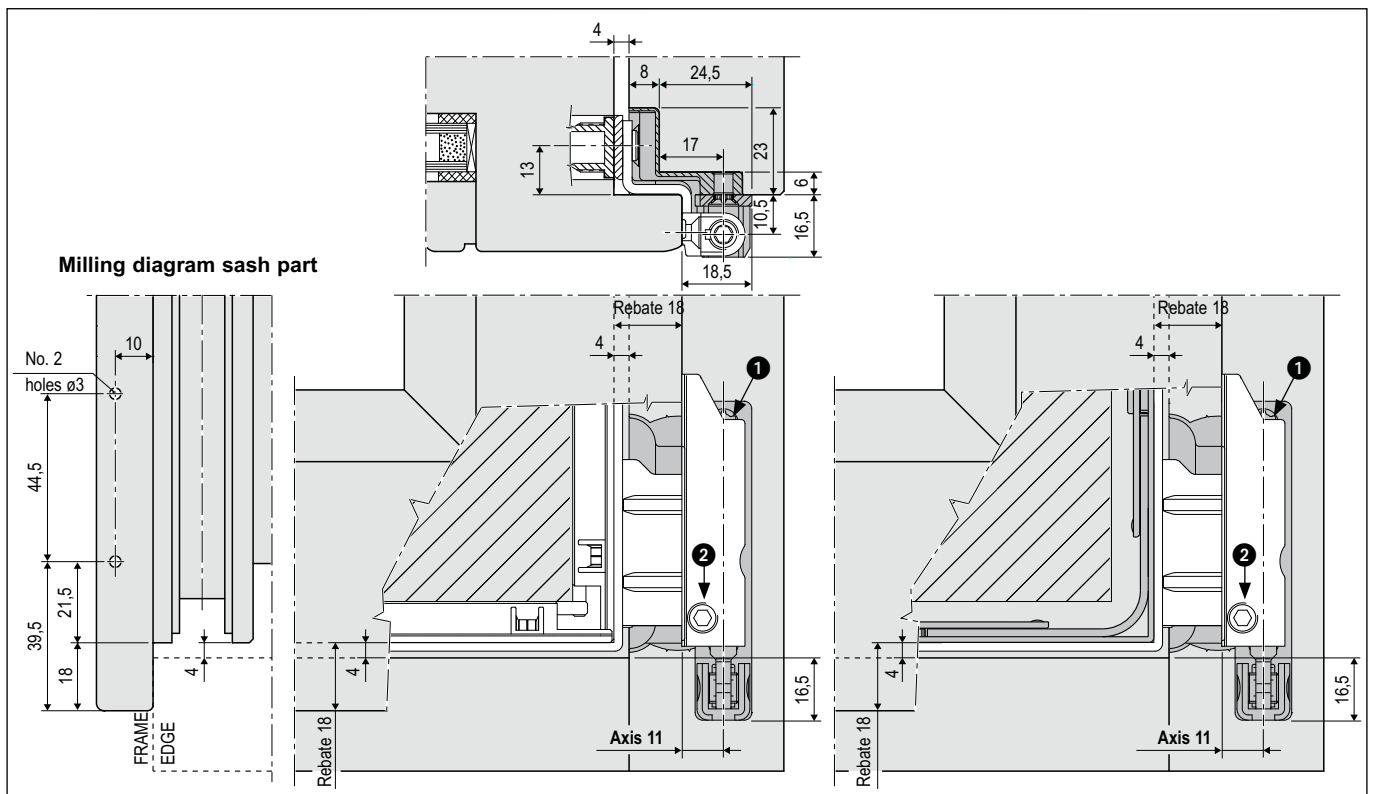
With 4 mm hexagonal wrench:

- 1 vertical adjustment +4/-3 mm;
- 2 pressure adjustment ±1 mm.

**Fastening**

4x40 mm screws, + n° 2 3.5x35 mm to 4x40 mm screws on the rebate.

**Note.** It is advisable to predrill holes before screwing in the two screws on the rebate against the sash.



**Order Specifications**

Article	Gap	Axis	Rebate	Type
A50901.34.01	4/12	13	18	rh With adapter shim
A50901.34.02	4/12	13	18	lh With adapter shim

**Screw hole position**

	Ref D-C	Ref D-A
1°	29	-
2°	71	35
3°	107	71
4°	-	107