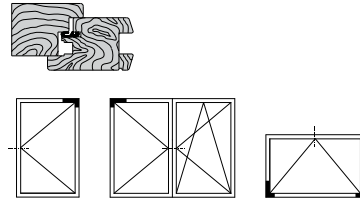
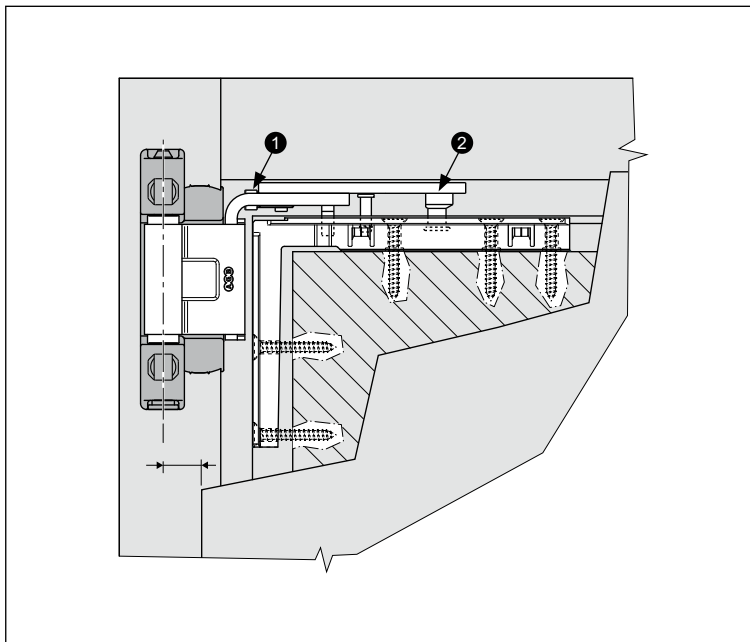
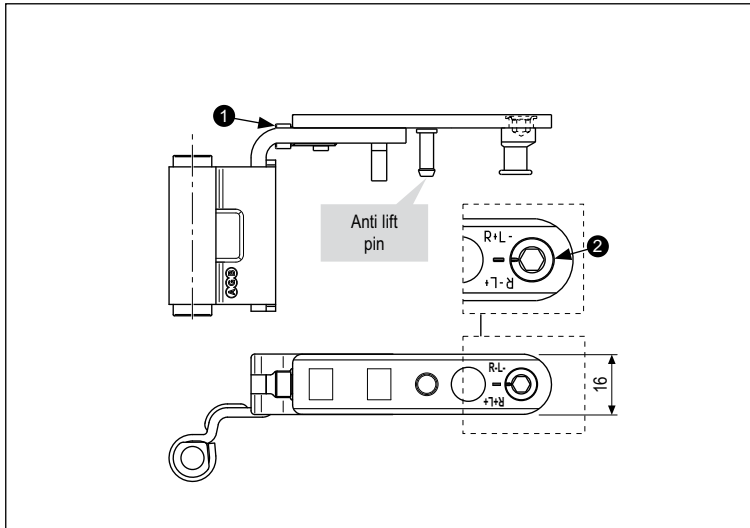


Top stay hinge for semi-fixed sash for eurogroove 16/12 - gap 4/12, axis 8,5, 9 and 13, rebate 15, 18 and 20 mm



Description

Top stay hinge for semi fixed sash for eurogroove 16/12 rh or lh for side-hung sashes, to use coupled to body stay hinge A51050.16.12.

Application

To use in combination with stay supports. For all types of wooden doors/windows gap 4/12 mm, axis 8.5, 9, and 13, rebate 15, 18 and 20 mm, where you would like to use tilt and turn type hinges. Applied in eurogroove 16/12 of the sash, it can be used in the following ways:

- 1) for side-hung doors/windows;
- 2) for tilt only doors and windows.

In side-hung systems, the friction allows the sash to remain in the desired position by compensating for any offset caused by over adjustments or out of square walls.

Adjustment

With 4 mm hexagonal wrench:
 ① horizontal adjustment -4,5/+3,5 mm;
 ② pressure adjustment ±1,5 mm.

Mounting

3.5x35 mm to 4x40 mm screws.

Screw hole position

	Ref C-D	Ref C-B
1°	43	47
2°	72	79
3°	-	99

Order Specifications

Article	Axis	Rebate	Type
A51002.22.01	8,5	15	rh
A51002.22.02	8,5	15	lh
A51002.24.01	9	18	rh
A51002.24.02	9	18	lh
A51002.26.01	9	20	rh
A51002.26.02	9	20	lh
A51002.34.01	13	18	rh
A51002.34.02	13	18	lh
A51002.36.01	13	20	rh
A51002.36.02	13	20	lh