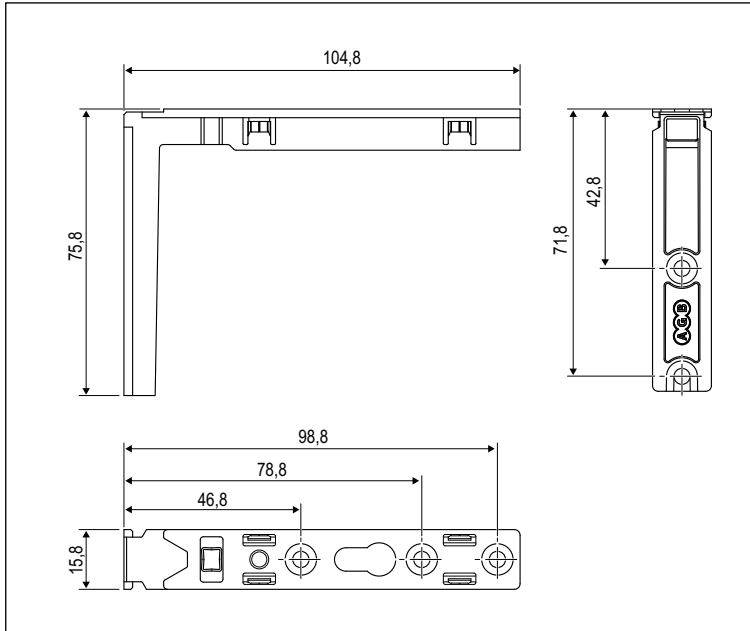
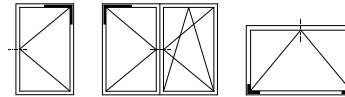


Corner adapter for stay hinge



Description

Hinge body to use in combination with the stay hinge arm for wood: A51002.XX.01 and A51002.XX.02; for PVC, Aluminium/Wood, Aluminium Euro-Groove: A51007.XX.01 and A51007.XX.02.

One-piece zamak body, with three screw holes on the transom and two on the jamb; it has two pre-mounting clips for sash fastening.

Application

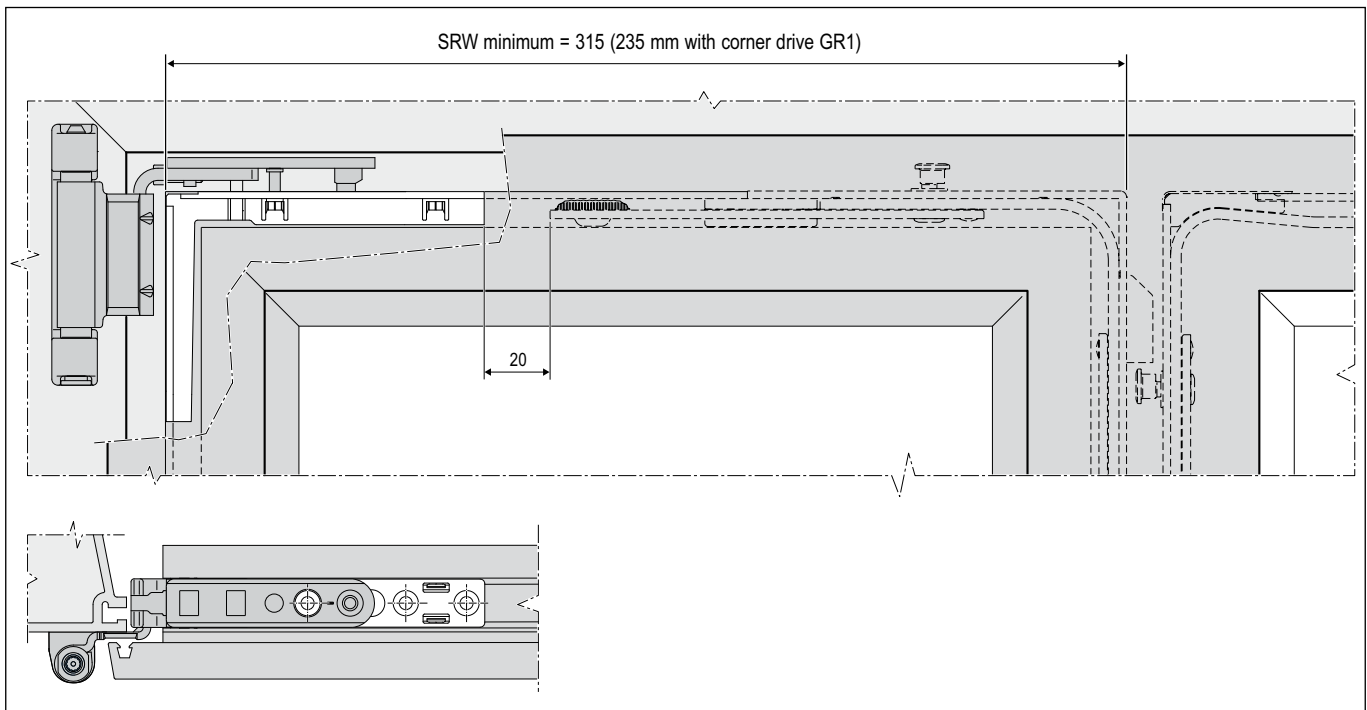
For swinging sashes when using a tilt and turn type hinge.
For tilt only sashes, mount at the ends.

Mounting

Insert the body aligning the vertical part to the eurogroove of the jamb.

For PVC/Aluminium-wood/Aluminium Euro-groove doors/windows: 3.5/4.3x25 mm screws with thread suited to the material used for frame construction; for wooden doors/windows: 3.5x35 mm to 4x40 mm screws.

In case of aluminium sashes with mounting bracket in the hardware groove, the capacity is ensured even if one screw hole on the jamb and one on the transom are not used.



Screw hole position

	Ref C-D	Ref C-B
1°	43	47
2°	72	79
3°		99

Order Specifications

Article	
A51050.16.12	