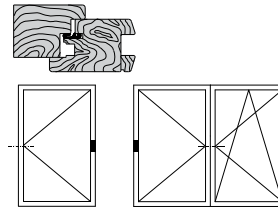
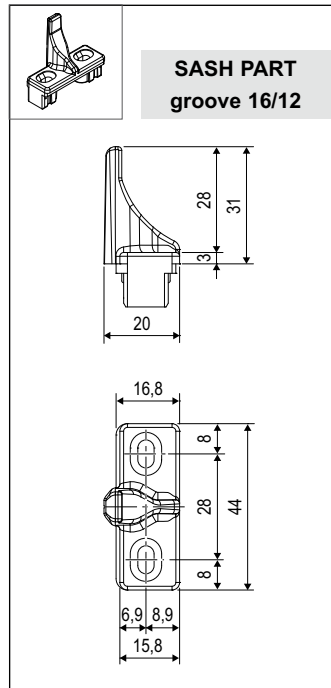
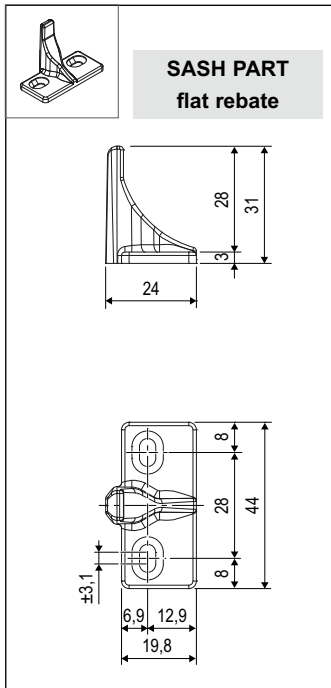


# Embedded hidden central hinge, gap 12, axis 13



**Description**

Sash and frame part of the concealed, recessed central hinge, for second sash, non-handed for doors/windows gap 12, axis 13.

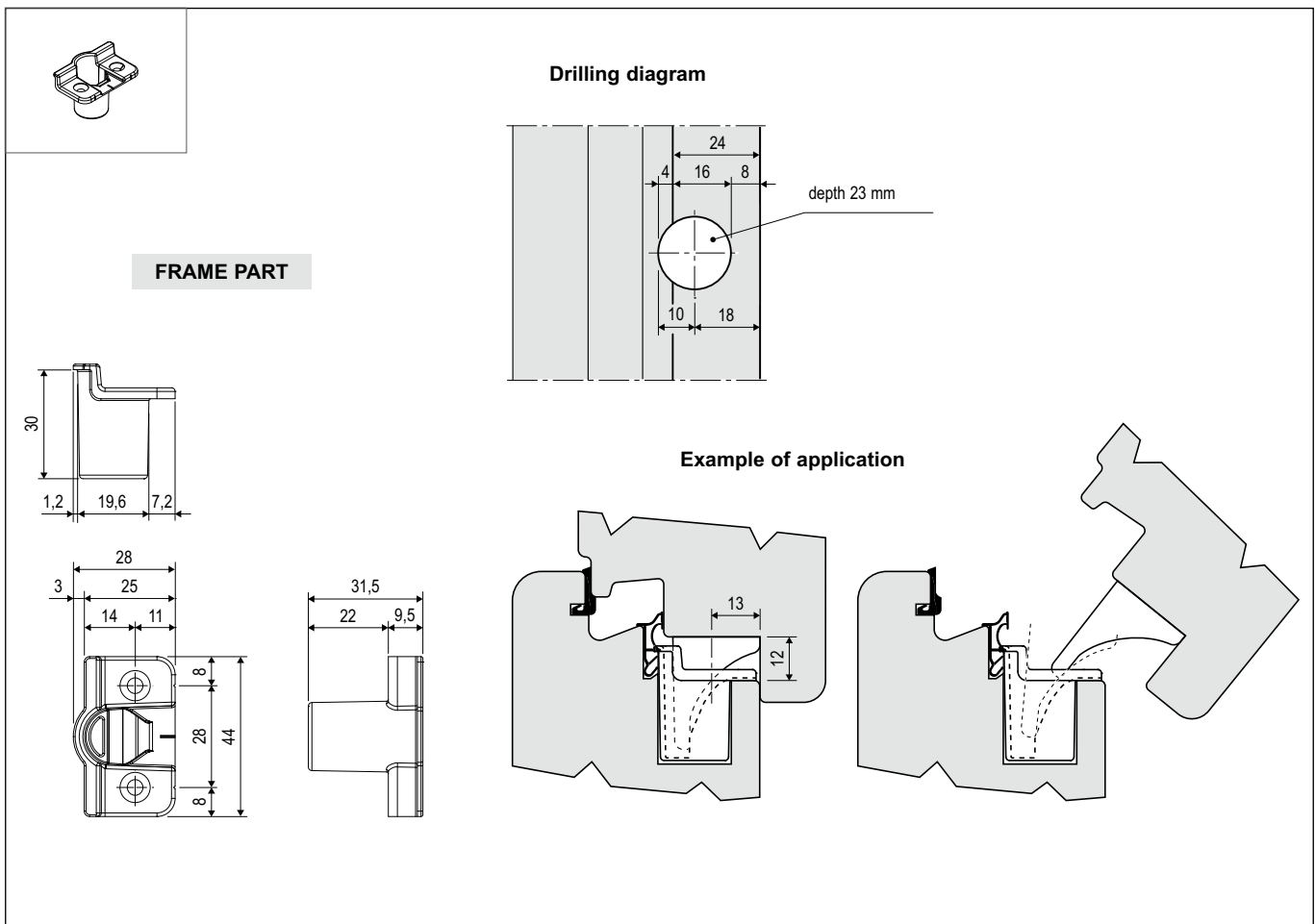
**Application**

Hinge which, positioned on jamb on the side of the hinges, prevents wood give, adjusts possible deviation between sash and frame, and maintains gasket pressure even under strong wind stress conditions. It may also be used as an anti-burglar component.

**Mounting**

4x40 mm screws.

**NB.** Use A52006.13.00 jig with drill and milled component  $\varnothing 20$  to bore central hole.



**Order Specifications**

Article	Axis	Gap	Description
A51211.30.00	13	-	Hidden central hinge - sash part, flat rebate
A51211.00.01	-	-	Hidden central hinge - sash part, groove 16/12
A51212.30.CR	13	12	Hidden central hinge - frame part