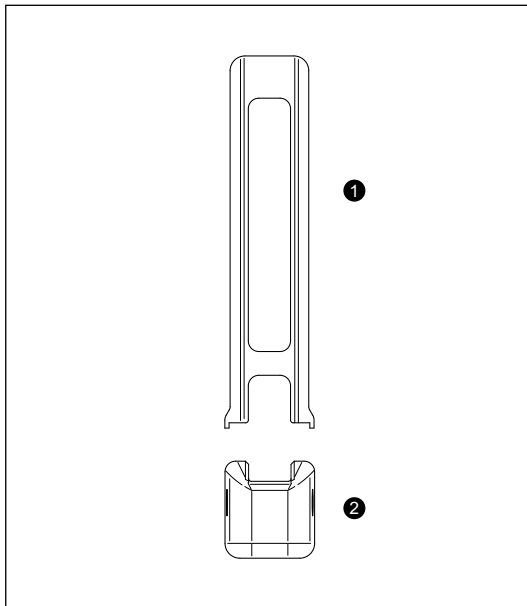


Covers for corner support



Corner support, non handed



Order Specifications

Ref.	Article	Description
①	A51332.00.XX	Upper part
②	A51331.00.XX	Lower part

Only for use in combination with the PVC female hinge and related cover.
Non compatible with the auto-jig support.

Note. Refer to the price list in force to check the availability of the finishes.