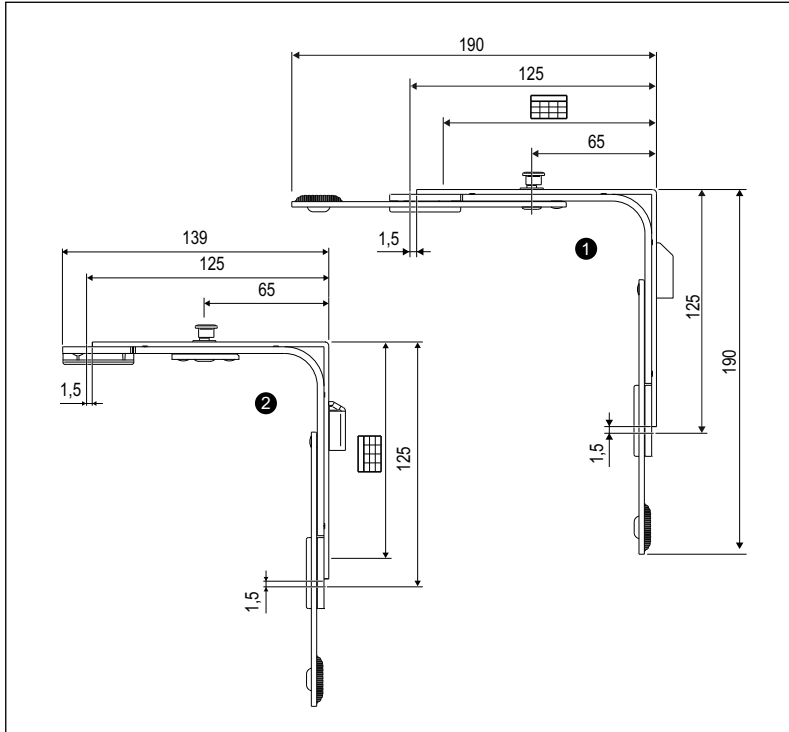
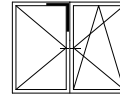


GR2 - 125x125 for top bolt with 1 cam



Description

Connecting element that transmits the movement from the jamb side to the upper transom of the sash, with anti-burglar striker pre-installed on the jamb side and mushroom striker on the transom, adjustable $\pm 1,5$ mm in height and ± 1 mm in pressure, with a 4 mm Allen wrench and 18 mm stroke.

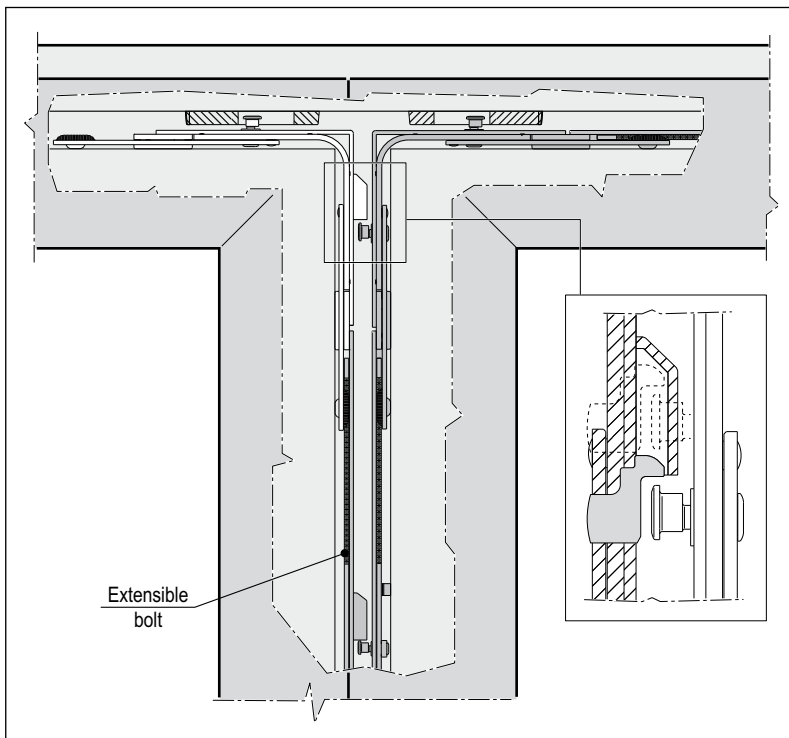
A mechanical lock prevents the cam from going into the striker and the rotation of the handle if the bolt lever is open.

Application

Used in combination with the extensible bolts, the first sash requires a corner drive with locking point on the jamb side.

Mounting

For PVC/Aluminium-wood/Aluminium Euro-groove doors/windows: 3.5/4.3x25 mm screws with thread suited to the material used for frame construction; for wooden doors/windows: 3.5x35 mm to 4x40 mm screws.



Screw hole position

GR2				
Screw	Ref B-A		Ref B-C	
	1	2	1	2
1°	107	107	107	107
2°	131	131	131	131

Order Specifications

Ref.	GR	Article							
1	2	A51701.19.02	362 **	-1204 *	610-2510	123,5x123,5	1	1	* Use of extensions excluded.
2	2	A51704.19.02	216 **	-1204 *	610-2510	123,5x123,5	1	1	** The minimum application range refers to use of the stay arm.