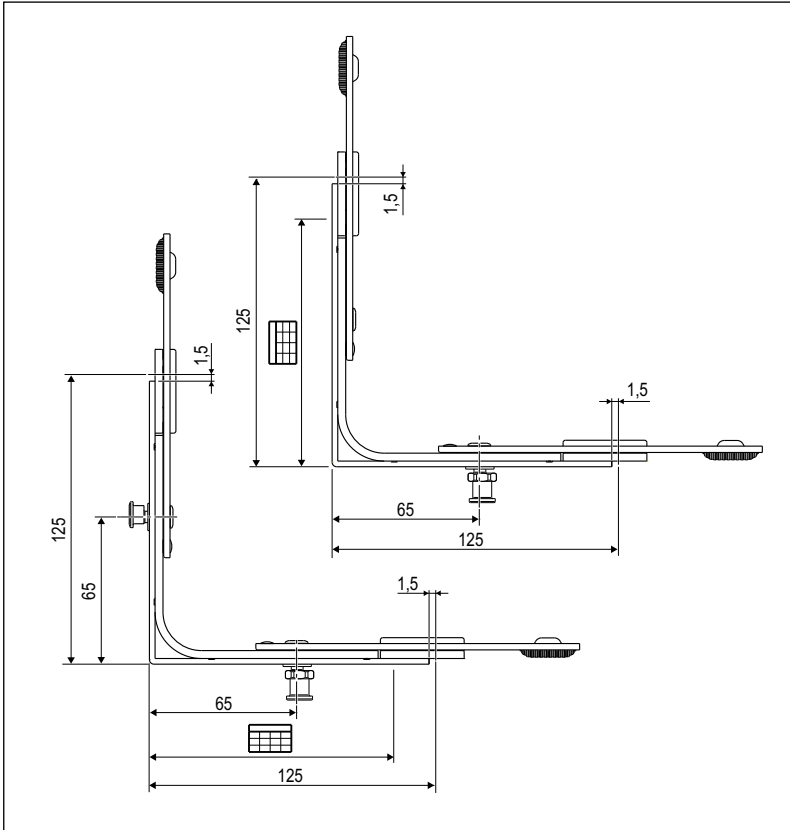
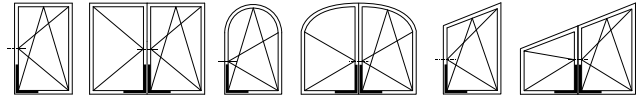


GR2 - 125x125 with 1 cam, gap 18 mm



Description

Connecting element that transmits the movement from the jamb to the transom in the first sash of the window. As standard, adjustable mushroom cam $\pm 1,5$ mm in height ± 1 mm in pressure with a 4 mm Allen wrench, 18+8 mm stroke.

Application

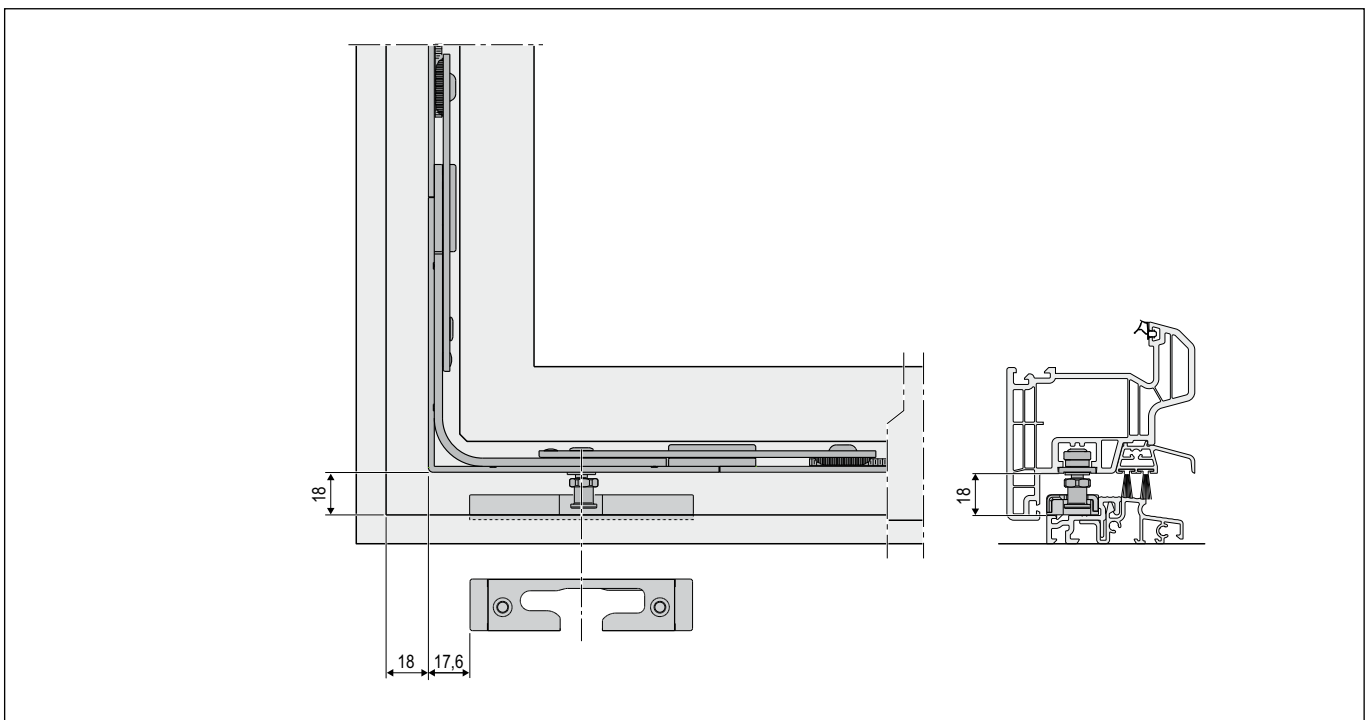
It is used in combination with the espagnolette for closing and tilting the sash on the bottom rail in case of application with 18 mm threshold gap.

Mounting

3.5/4.3x25 mm screws, with thread suited to material used for frame construction.

Screw hole position

GR2		
	Ref A-B	Ref A-D
1°	107	107
2°	131	131



Order Specifications

GR	Article					
2	A50309.01.02	287-1204 *	610-2510	123,5x123,5	1	* Use of extensions excluded
2	A50309.02.02	287-1204 *	610-2510	123,5x123,5	2	* Use of extensions excluded