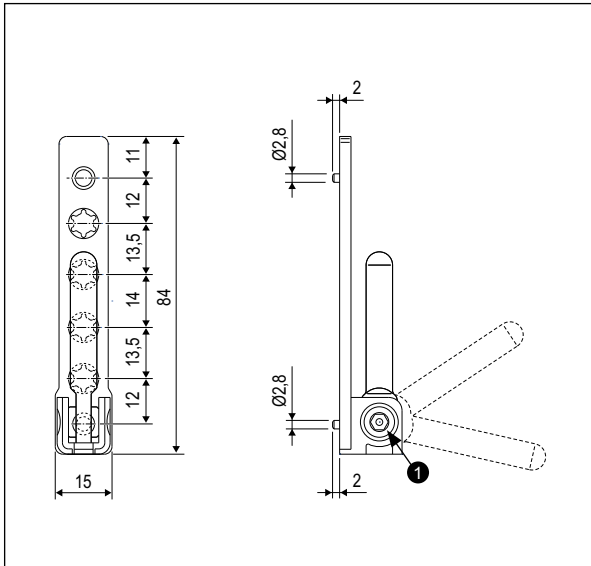
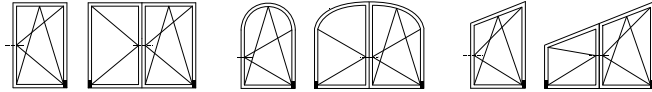
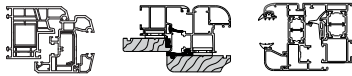


Surface mounted corner support - $\varnothing 3$ mm pins



Description

Adjustable corner support, non-handed, to apply on the frame jamb, with $\varnothing 2,8 \times 2$ mm positioning pin.
Designed to have holes in symmetry with stay support A50711.00.00.

Application

To use only when the inner part of the profile has an iron reinforcement and adequate mounting is ensured using the screws only.

It must be coupled with the following components:

- surface mounted hinge art. A50911.XX.XX;
- hinge for PVC, A50922.07.00.

Adjustment

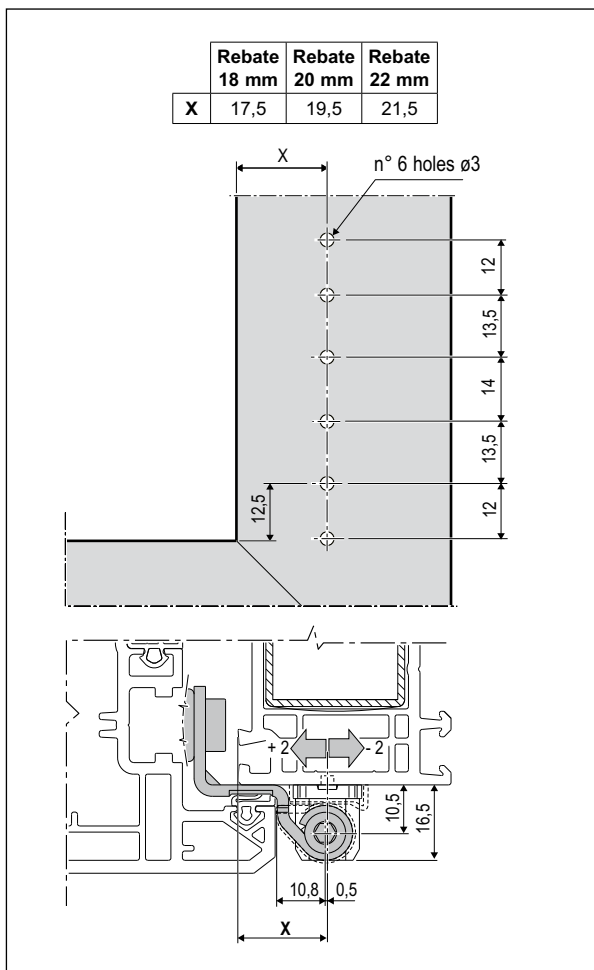
The following sash adjustments can be made using a 4 mm hexagonal wrench:

- horizontal adjustment ± 2 mm **1**;
- pressure adjustment (on female part);
- vertical adjustment (on female part).

Mounting

3.5/4.3x25 mm screws, with thread suited to material used for frame construction.

Note. Use jig A52099.00.01 for drilling hole.



Order Specifications

Article	
A50811.07.00	