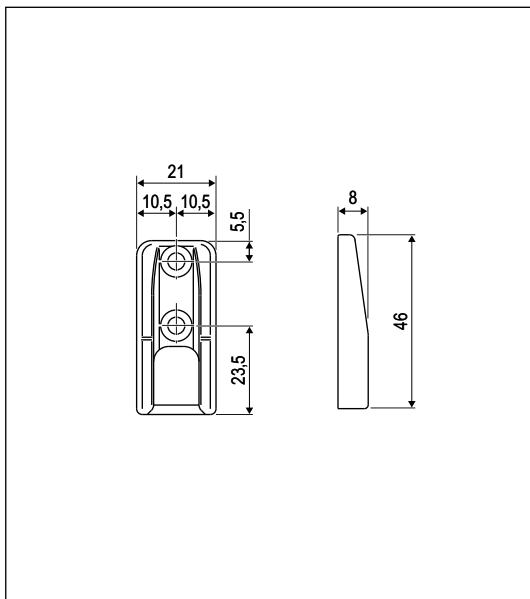
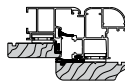


Cam



For Aluminium-wood profiles, 24/37 mm seat



Opening system	All
Stroke	18+18 mm
Material	Zamak
Mounting	N° 1 3.5/4.3x25 mm screw, with thread suited to material used for frame construction.

Order Specifications

Article	Dimensions mm	
A51401.EB.02	21x46x8	