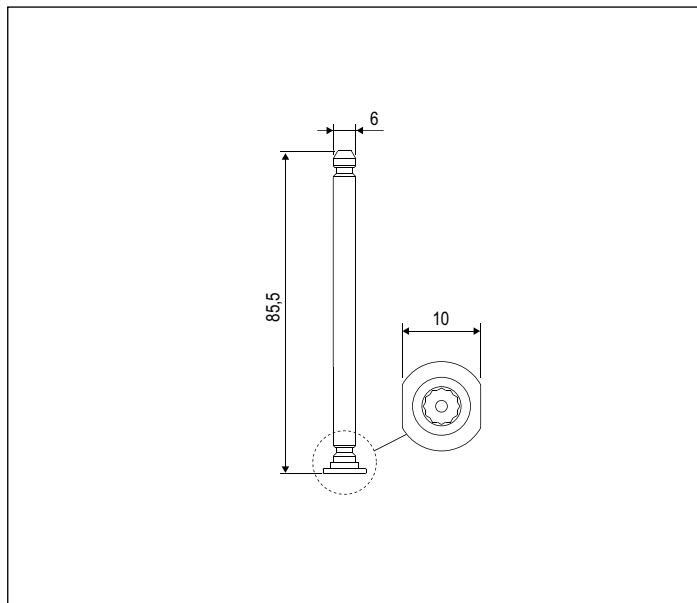
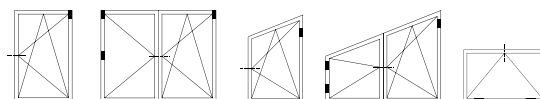


## Pin for stay support



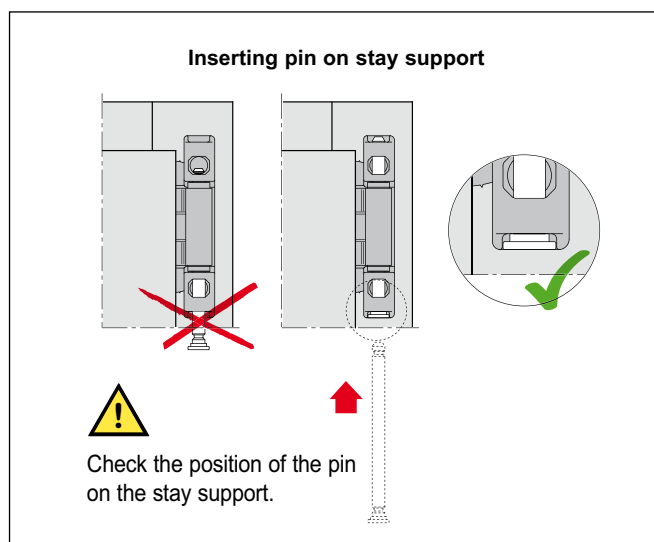
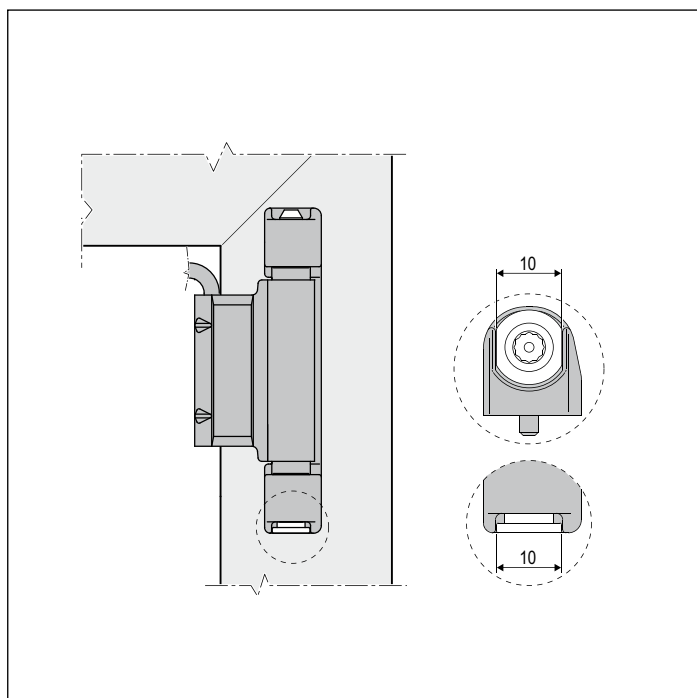
### Description

ø6 mm pin for connecting the stay arm to the fixed support on the frame.

Faceted head to prevent the pin from rotating during sash movements.

### Application

Used for coupling the stay arm hinge for semi fixed sash and loading central hinge to the relative support on the frame. The double hexagon imprint on the head of the pin makes it easy to position during insertion: the faceted head must be coupled to the corresponding seat on the support to prevent the pin from rotating. The pin can be inserted from both ends of the support.



### Order Specifications

Article

A50790.00.00