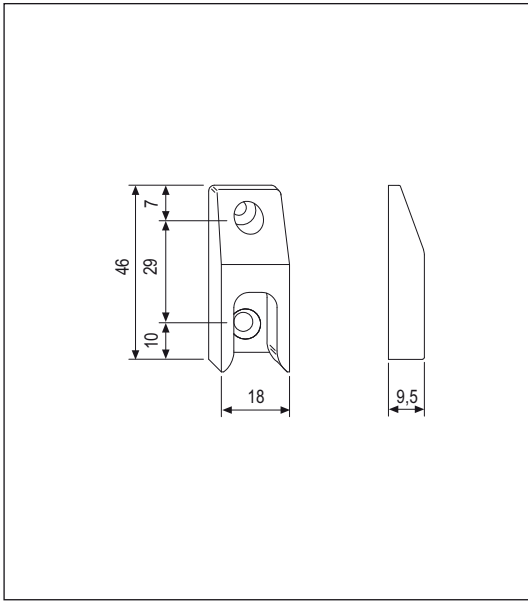
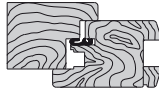


 **Roller cam**



Gap 12 mm



Door type	Single or double-sash entrance doors.
Assembly	Surface-mounted on rebate of timber profiles with gap 12 mm.
Material	Die-cast Zamak.
Mounting	Use 3,5x30 mm screws or 4x30 flathead screws.
Application	For Sicurtop with 16 mm faceplate. Installed on the side jamb or second sash stile, they are suitable for the roller cams.

NB. The box contains 1 bolt hole plug for each striker.

Order Specifications

Article	Dimensions mm
W01695.05.02	18x46x9,5