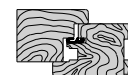


# Top and bottom bolts with dedicated push rod, gap 12, axis 9x18



**Description**

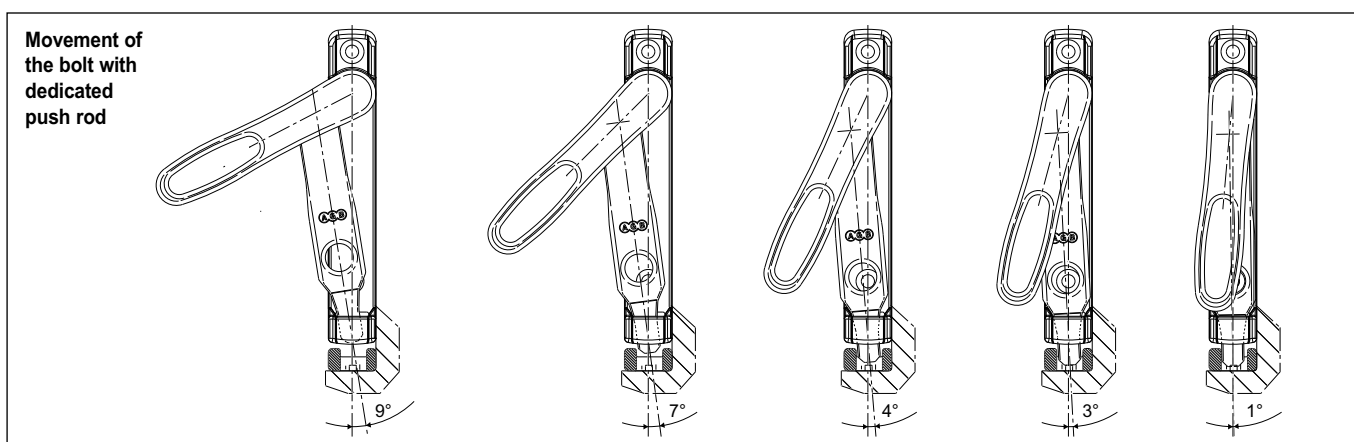
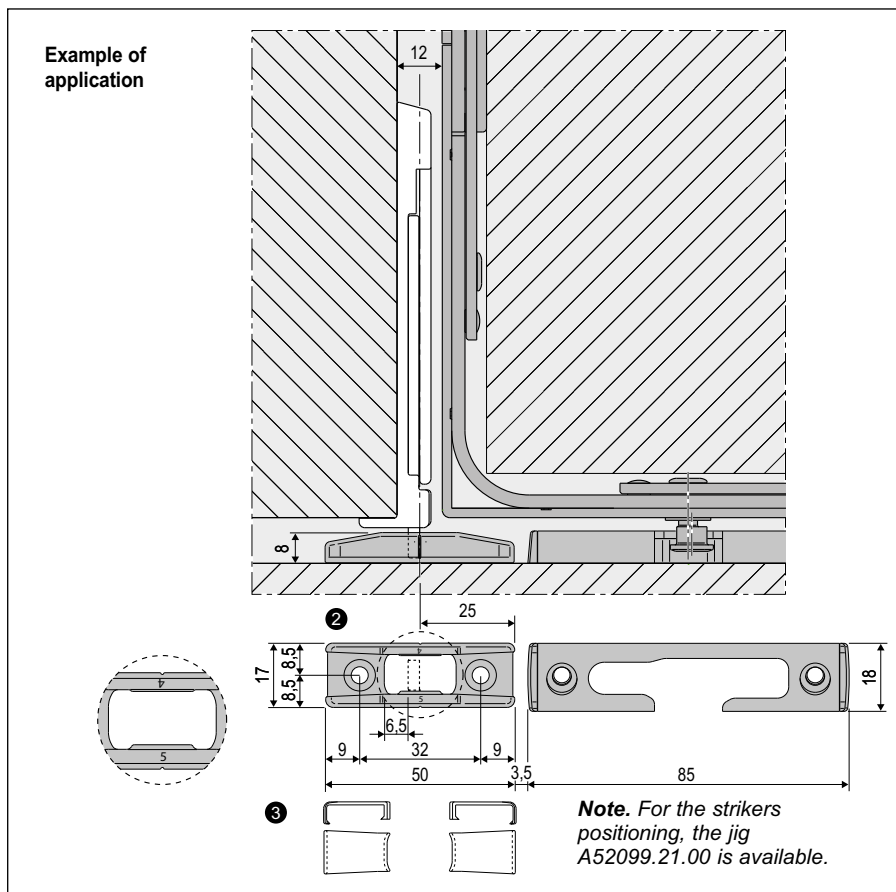
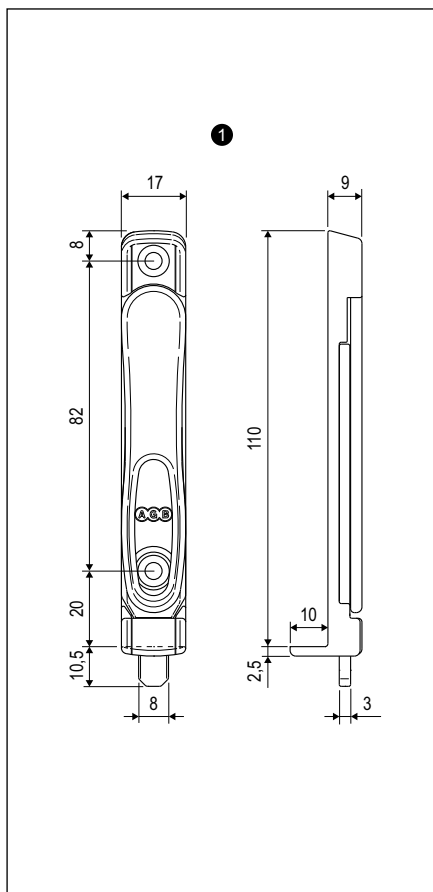
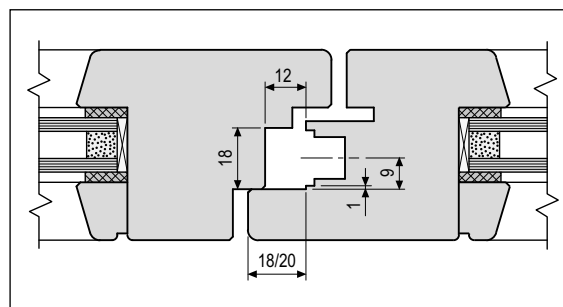
Non-handed top and bottom bolt with dedicated push rod that invites the striker to close.

**Use**

For windows in axis 9 with central point in gap 12. It can be used with strikers A51400.05.04 or with traditional strikers of the Tesi range.

**Fastening**

2 screws 4x40 mm.



**Order Specifications**

Ref.	Article	Description
❶	A51513.05.11	Bolt, gap 12, axis 9
❷	A51400.05.04	Push rod striker
❸	A52102.02.44	Covers for push rod striker