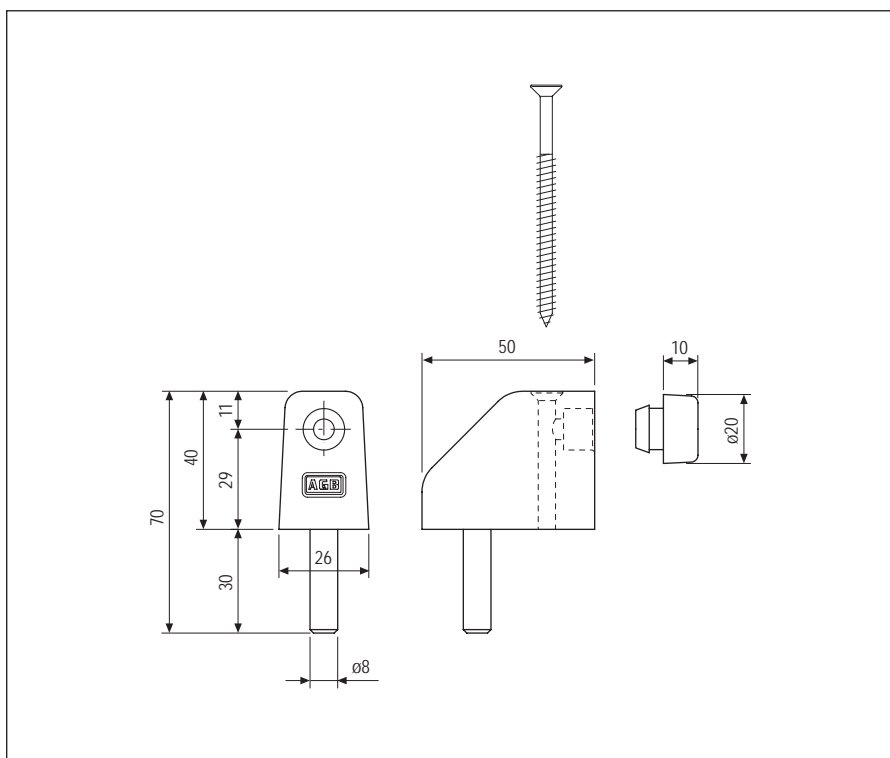


Window/Door bumper stops



Description

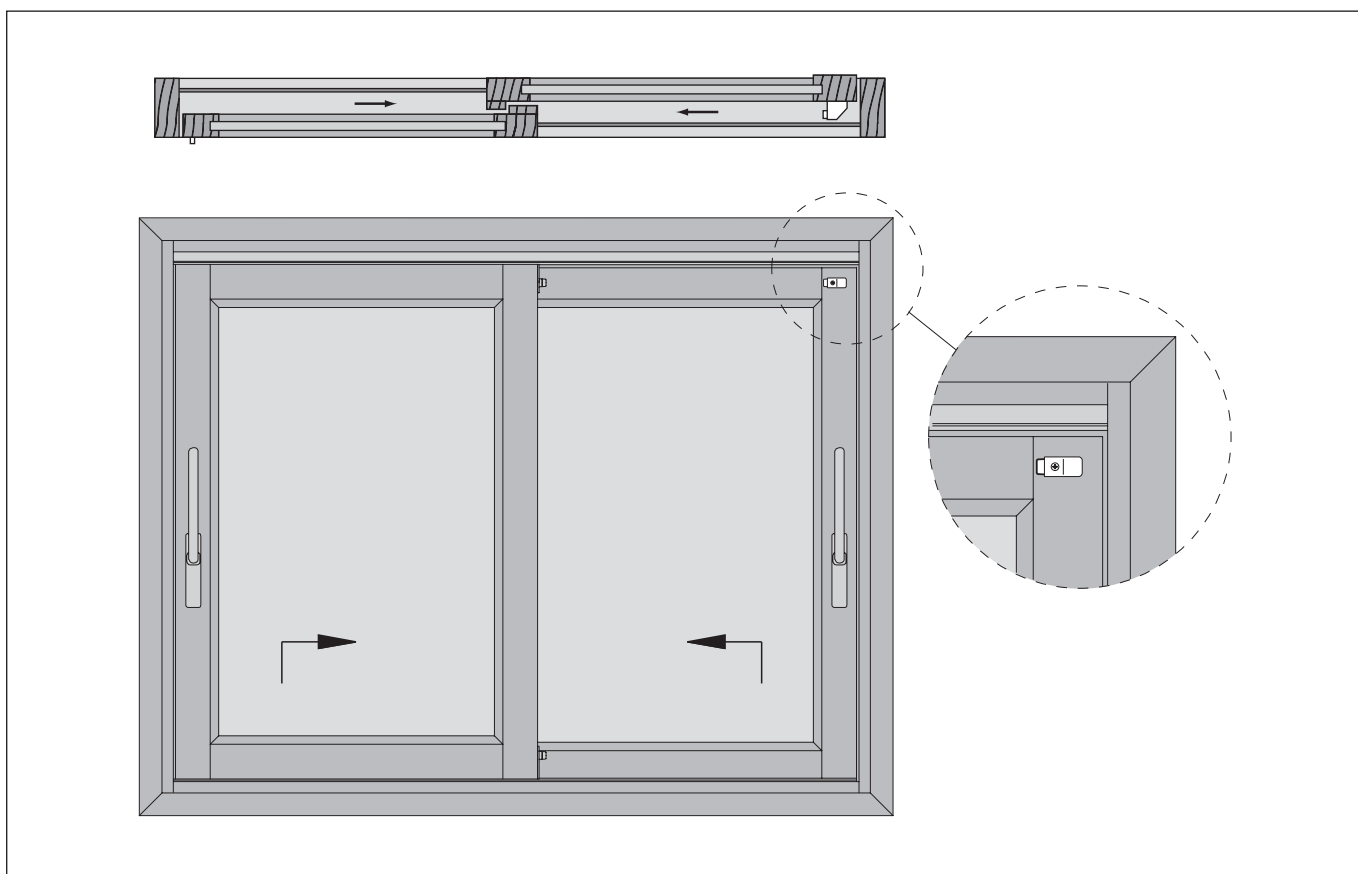
Plastic sash stop with rubber bumper.

Application

Used on doors/windows with "B", "F" and "G" layout to stop the sash before the handle hits the stile.

Mounting

Drill a hole 8 mm wide and 27 mm deep in which to insert the anti-pull pin. Then anchor the bumper stop to the sash using the 4.5x70 mm screw included in the kit.



Order Specifications

Article	Finish
G00728.00.13	Black
G00728.00.14	White RAL.9010