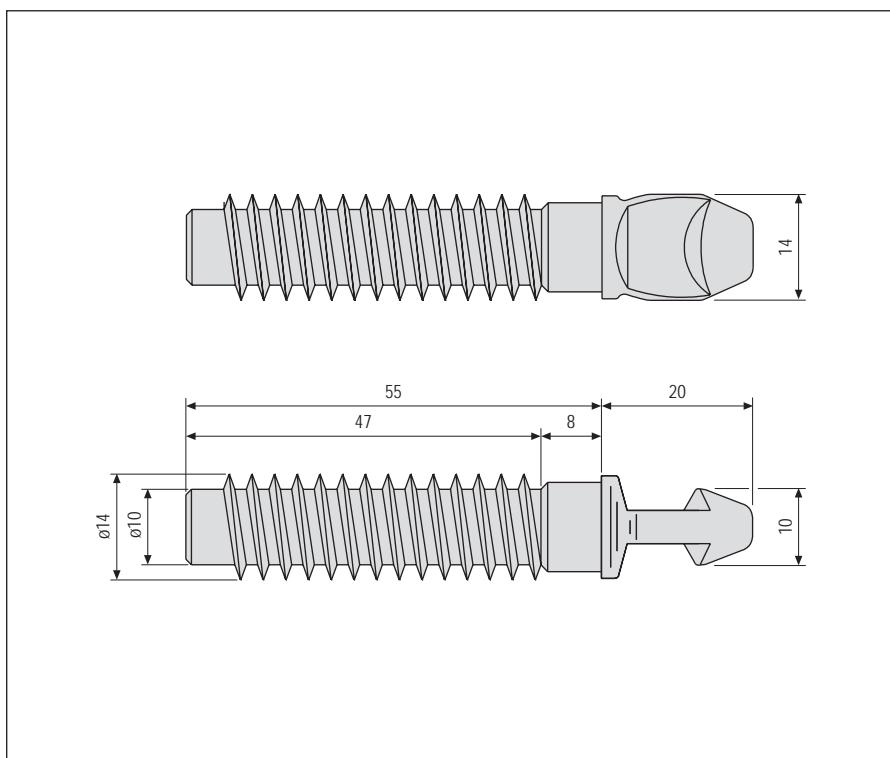


Antiburglar locking pin



Description

Steel locking pin with increased thread which makes the sash more safe against break-in attempts with tools like big screwdrivers and so on.

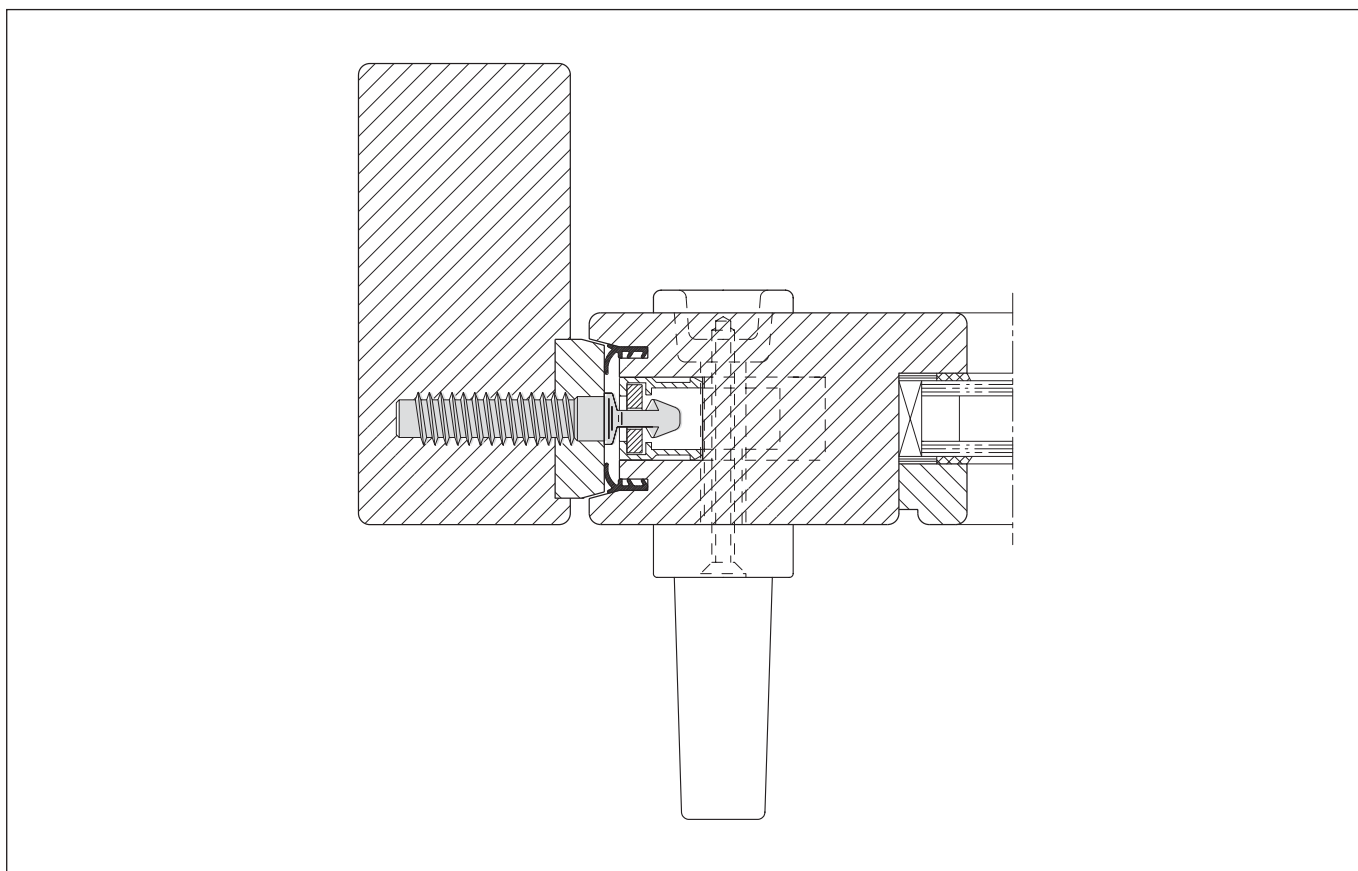
Application

In all systems where the sash closes on the frame (A, B, D, F, G scheme).

Mounting

Drill a $\phi 10$ mm hole for soft wood and 11mm for hard ones. Screw down the pin by means of a hook G00746.00.06

NB. Use jig art. G00746.00.05 (see jigs chapter) to find out the right positioning of the pin.



Order Specifications

Article	Finish
G40728.00.33	Steel Silver