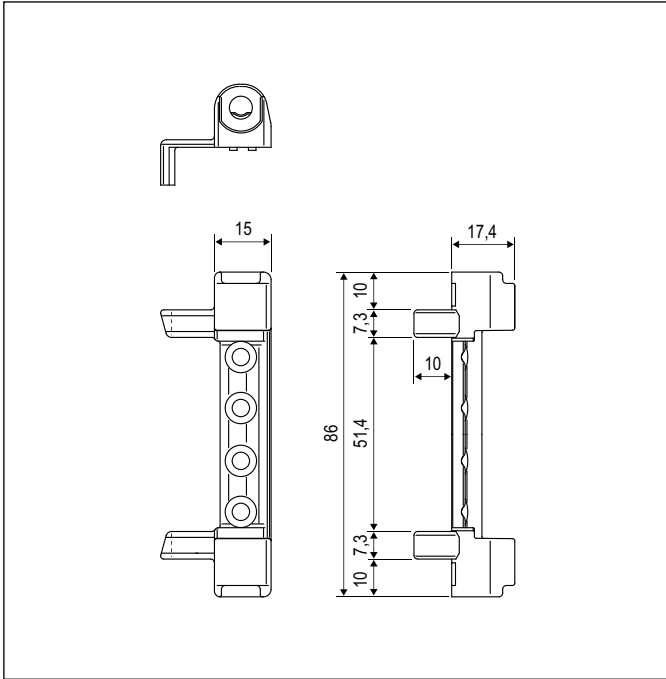
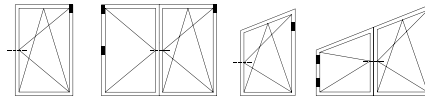
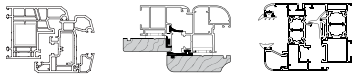


Surface mounted stay support with resting plates



Description

Non-handed stay support with resting plates, that allow the immediate application of the support on the assembled frame, without requiring a jig. Available for 18 and 20 mm rebate.

Application

It can be coupled with the following articles, using stay support pin A50790.00.00:

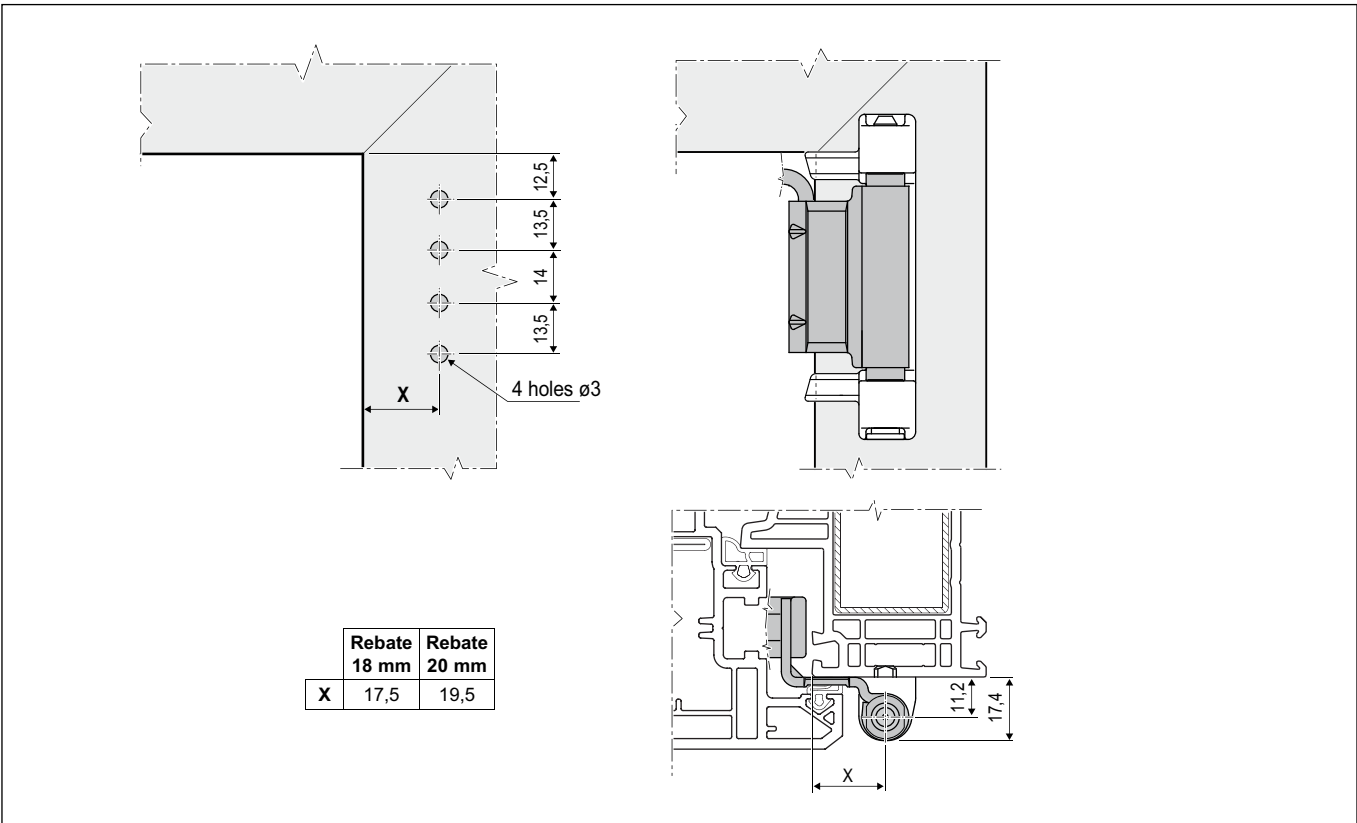
- stay arm for rectangular and angled sashes;
- stay hinge;
- loading adjustable central hinge.

Mounting

Position the support against the top rail and side jamb, where it can be fixed directly or used as a jig for the guide holes.

3.5/4.3x25 mm screws, with thread suited to material used for frame construction.

All 4 screws need to be fastened in the metal reinforcement.



Order Specifications

Article	Rebate
A50718.07.00	18
A50720.07.00	20