

UNICA basic kit - with lowered handle



Description

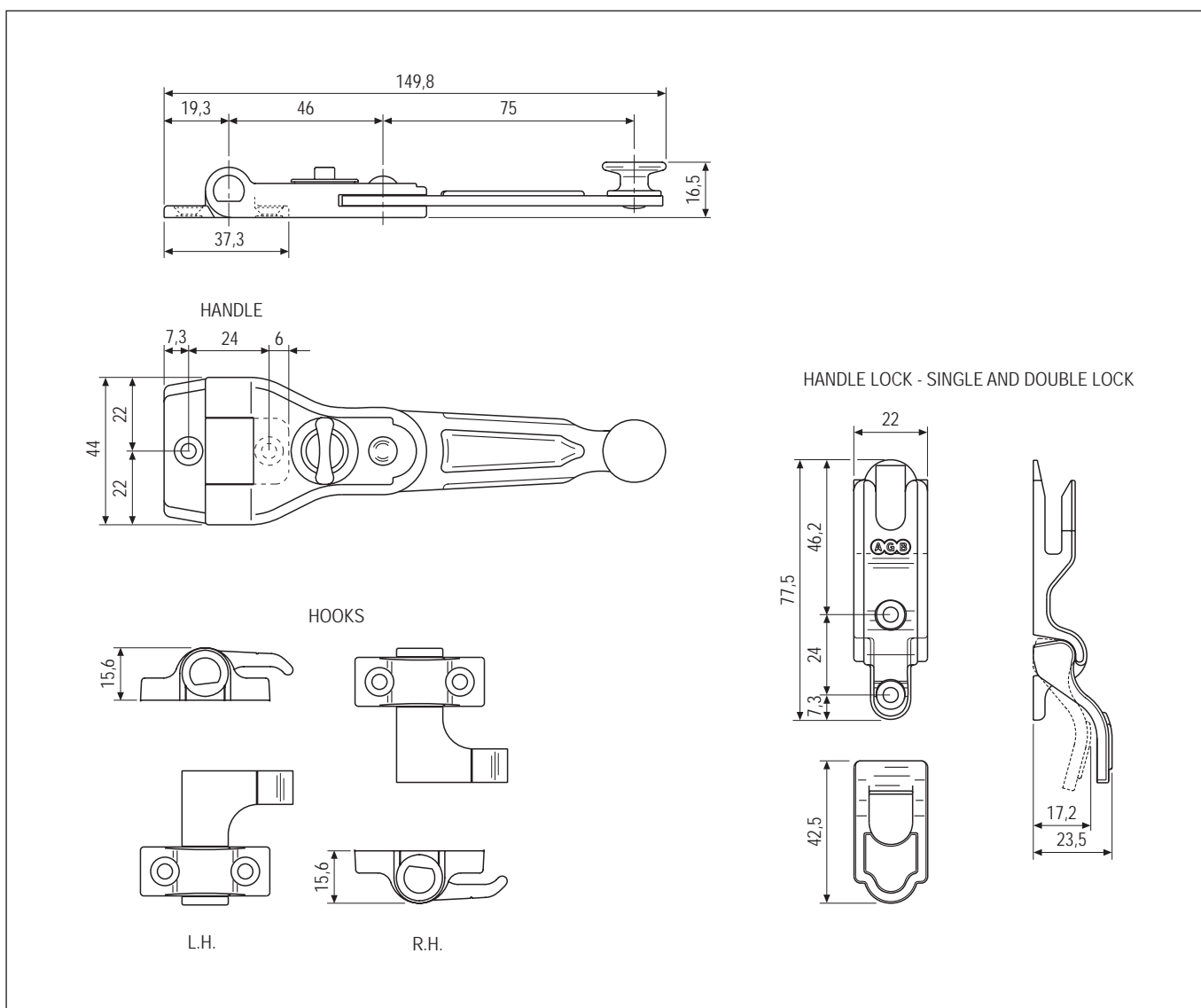
Basic kit featuring espagnolette with 180° rotation and catch suitable to 1 or 2 sashed shutters. The lowered knob of the handle allows the use on folding sashes.

Mounting

Use screw with suitable thread to the shutter material \varnothing 4x30.

Finish surface treatment

On basis zink plated and then a cataphoresis process as a basis for a final polyester powder finish. These procedures guarantee special weather-proof and wear-resistant.



Order Specifications

Type	Article
UNICA	H00903.16.XX

NB. Refer to the price list in force to check the availability of the finishes.