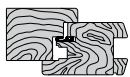


Stay arm wood

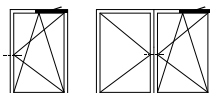


Description

Stay arm for rectangular Tilt&Turn windows, with pre-mounted angle and available in left or right-handed versions. Bush for the stay arm support pin made of self-lubricating polyamide and with a friction function of the sash movement.

Application

Coupled with the relevant sash side stay, it can be used for surface mounted Tilt&Turn rectangular windows. The sash part stays from GR1 to GR3 must be coupled with the respective stay arm, frame part; GR4 and GR5 sash part stays instead must be coupled with the GR4 frame part.



Adjustment

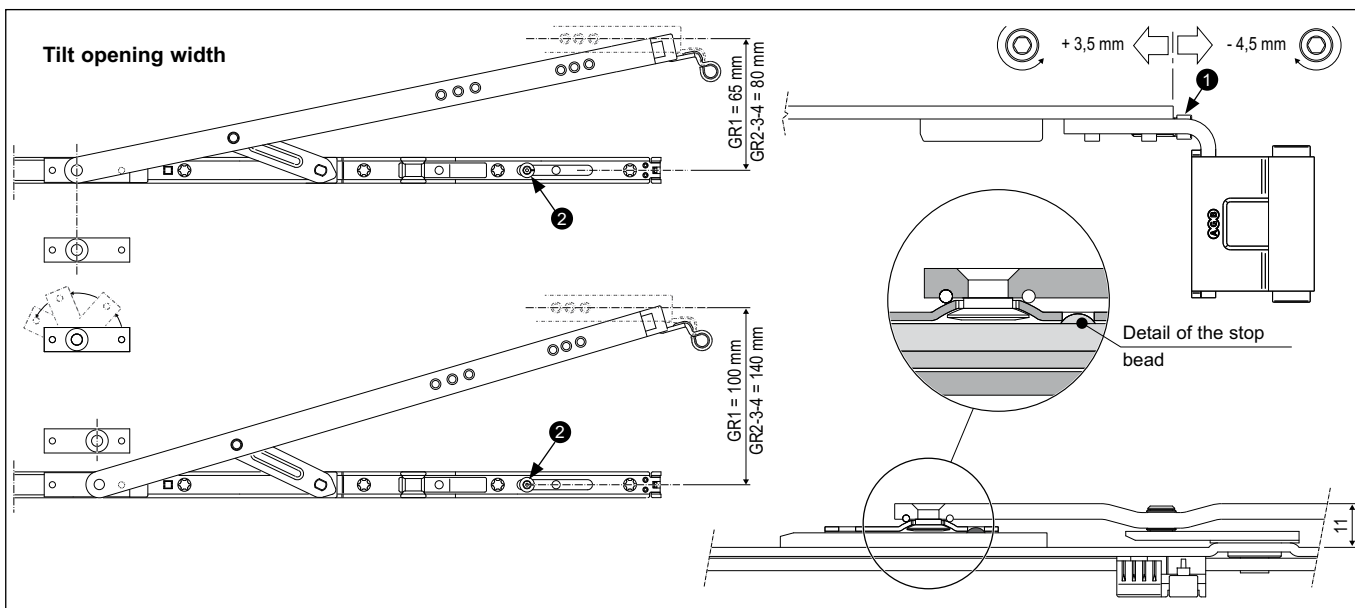
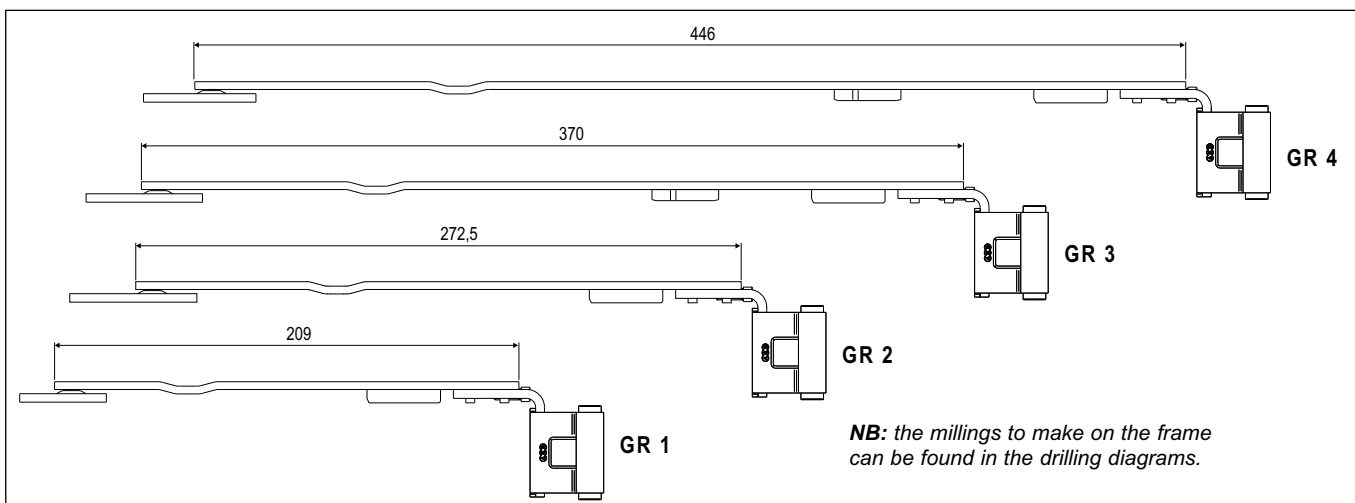
The following adjustments can be made:

- 1 horizontal by -4,5/+3,5 mm;
- 2 in pressure by ±1 mm thanks to the cam positioned on the sash part of the stay arm, using a 4 mm Allen wrench.

Mounting

Connection between frame and sash parts of stay arm using the slide and clip pin; **once mounted, the arm cannot be separated from the sash part.** By angling the slide before insertion, the tilt position of the sash opening will change.

The coupling with the stay arm support is achieved by using pin A50790.00.00.



Order Specifications

GR	Article	Stay arm, sash part	Type	
1	A51911.XX.01	A50510.00.01	rh	362-490
1	A51912.XX.01	A50510.00.01	lh	362-490
2	A51911.XX.02	A50510.00.02	rh	476-604
2	A51912.XX.02	A50510.00.02	lh	476-604
3	A51911.XX.03	A50510.00.03	rh	594-804
3	A51912.XX.03	A50510.00.03	lh	594-804
4	A51911.XX.04	A50510.00.04	rh	794-1004
4	A51912.XX.04	A50510.00.04	lh	794-1004
4	A51911.XX.04	A50510.00.05	rh	994-1204
4	A51912.XX.04	A50510.00.05	lh	994-1204

XX	Axis	Rebate
22	8,5	15
24	9	18
26	9	20
34	13	18
36	13	20