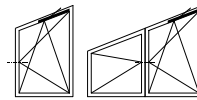
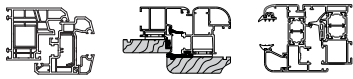


# Surface mounted stay arm, frame part for angled window



**Description**

Stay arm, sash part for angled Tilt&Turn windows, with pre-mounted angle and available in left or right-handed versions. Bush for the stay arm support pin made of self-lubricating material and with a friction function of the sash movement.

**Application**

Coupled with the relevant sash side stay, it can be used for surface mounted Tilt&Turn angled window casements. The sash part stays from GR1 to GR3 must be coupled with the respective stay arm; GR4 and GR5 sash part stays instead must be coupled with the GR4 arm.

**Adjustments**

The following adjustments can be made:

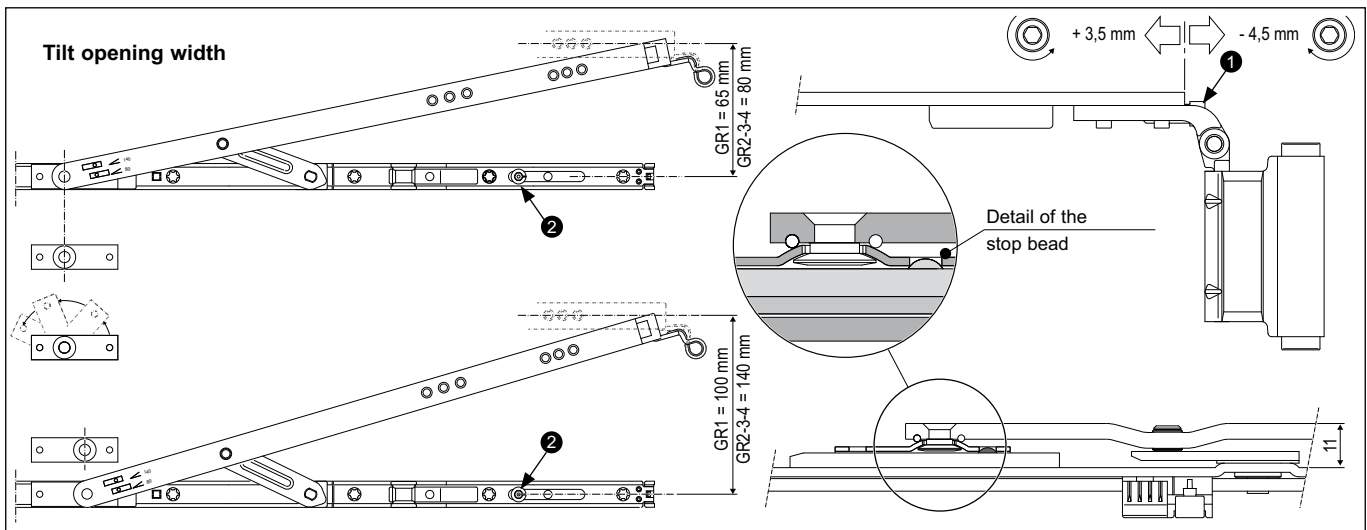
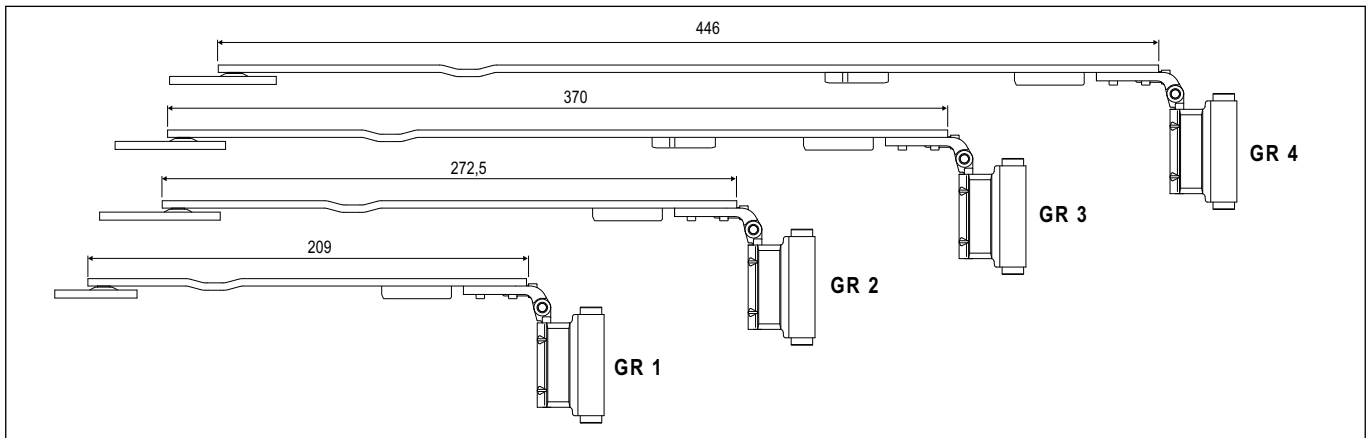
- ① horizontal by  $-4,5/+3,5$  mm;
- ② in pressure by  $\pm 1$  mm thanks to the cam positioned on the sash part of the stay arm, using a 4 mm Allen wrench.

**Mounting**

Connection between frame and sash parts of stay arm using the slide and clip pin; once mounted, the arm cannot be separated from the sash part. By angling the slide before insertion, the tilt position of the sash opening will change.

The coupling with the stay arm support is achieved by using pin A50790.00.00.

Depending on the inclination of the frame transom, it may need to be mill near the stay support.



**Order Specifications**

GR	Article	Stay arm, sash part	Type	
1	A51923.XX.01	A50510.00.01	rh	362-490
1	A51924.XX.01	A50510.00.01	lh	362-490
2	A51923.XX.02	A50510.00.02	rh	476-604
2	A51924.XX.02	A50510.00.02	lh	476-604
3	A51923.XX.03	A50510.00.03	rh	594-804
3	A51924.XX.03	A50510.00.03	lh	594-804
4	A51923.XX.04	A50510.00.04	rh	794-1004
4	A51924.XX.04	A50510.00.04	lh	794-1004
4	A51923.XX.04	A50510.00.05	rh	994-1204
4	A51924.XX.04	A50510.00.05	lh	994-1204

XX	Axis	Rebate
24	9	18
26	9	20
28	9	22
34	13	18
36	13	20
38	13	22
46	26	20