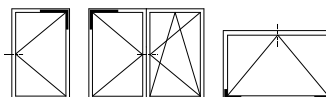
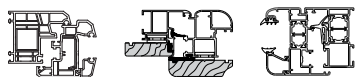


Stay hinge arm for swinging sashes



Description

Adjustable stay hinge arm for swinging sashes, to use in combination with stay hinge corner A51050.16.12. The stay angle is already mounted. The stay hinge is available in left or right-handed version and based on the axis and rebate.

Application

For swinging sashes when using a tilt and turn type hinge.
For tilt only sashes, on the ends, order both the left and right versions; in case of sashes weighing more than 70 kg, you need to add a loading central hinge A51111.XX.02.

Adjustments

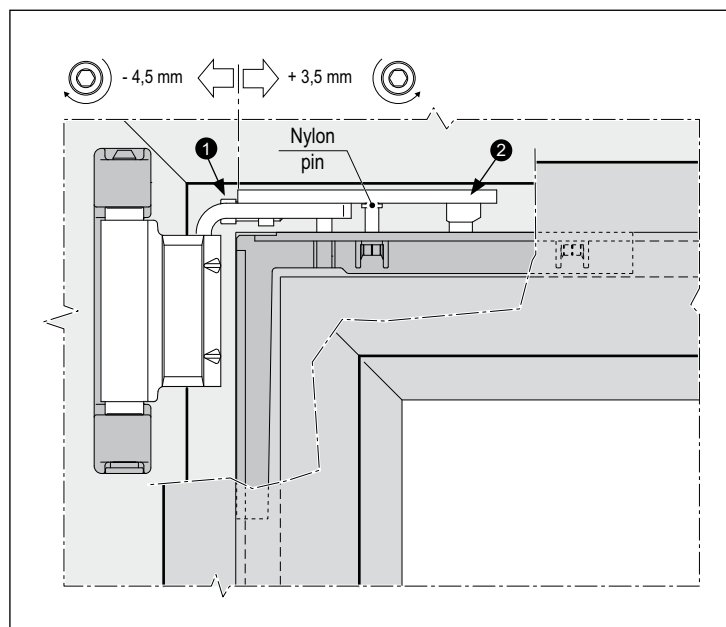
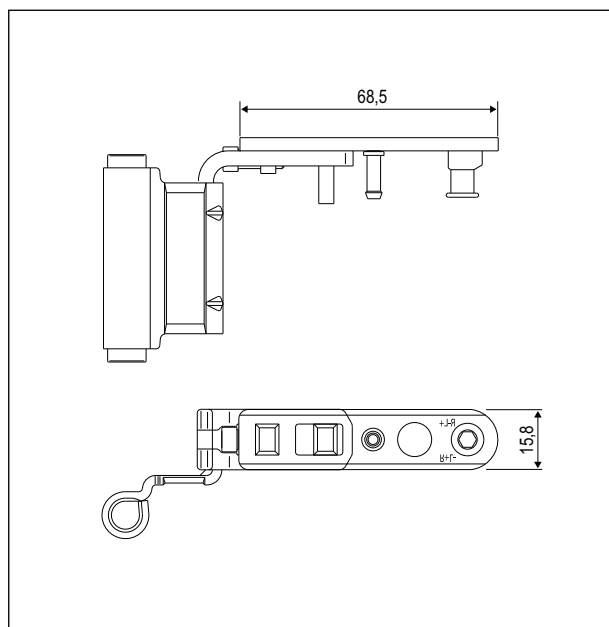
Using a 4 mm hexagonal wrench the following adjustments to the sash can be made:

- ① sideways movement -4,5/+3,5 mm;
- ② pressure adjustment $\pm 1,5$ mm.

Mounting

Assemble the arm to the stay hinge body which should be already fastened to the sash, by inserting the round pin in the corresponding slot and then the rectangular pin.

The anti-lift pin made of nylon, ensures that the arm remains assembled to the stay hinge body also during later sash transportation stages.



Order Specifications

Article	Type
A51007.XX.01	rh
A51007.XX.02	lh

XX	Axis	Rebate
24	9	18
26	9	20
28	9	22
34	13	18
36	13	20
38	13	22
46	26	20