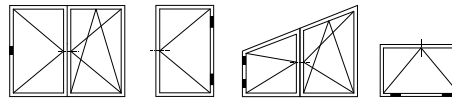
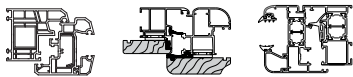


Surface mounted central adjustable loading hinge



Description

Two-handed central hinge, horizontal and pressure adjustment.

Application

Can be used as follows:

- for windows made with Tilt&Turn hinges, where the receiving sash requires one or more locking points placed between the upper and lower hinges;
- as a main hinge, replacing the traditional screw hinge, for swing sashes;
- in arched windows as a top hinge;
- for tilt only windows.

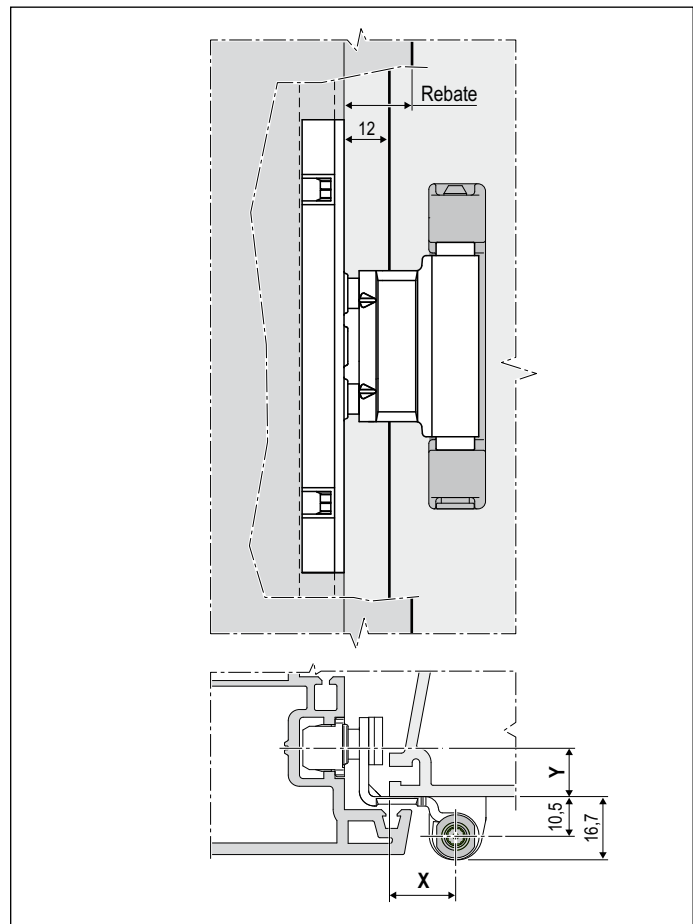
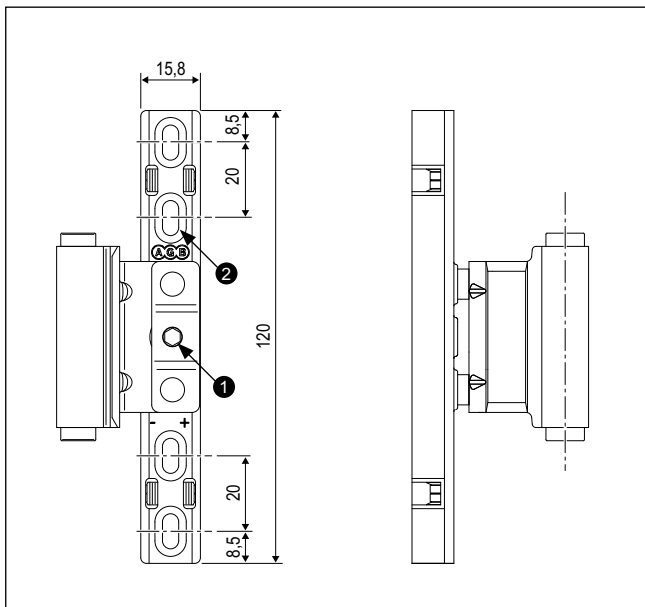
Adjustment

The following adjustments are possible:

- ① horizontal adjustment: pull ± 3 mm with 4 mm hexagonal wrench;
- ① 1 mm pressure adjustment by unscrewing the grub screw and rotating the zamak support 180°;
- ② by loosening the fixing screws in the slots of the support plate you can lift or lower the sash $\pm 2,5$ mm.

Mounting

3.5/4.3x25 mm screws, with thread suited to material used for frame construction.



Order Specifications

Article	Y	Rebate	X
A51111.24.02	9	18	17,5
A51111.26.02	9	20	19,5
A51111.28.02	9	22	21,5
A51111.34.02	13	18	17,5
A51111.36.02	13	20	19,5
A51111.38.02	13	22	21,5
A51111.46.02	26	20	19,5