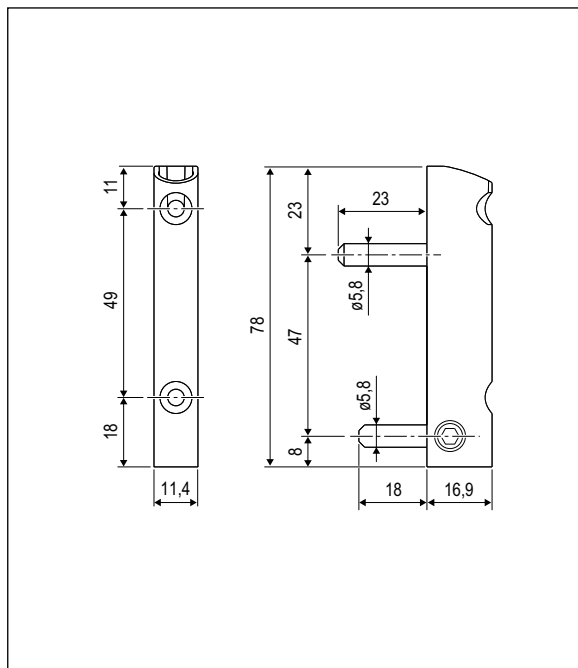
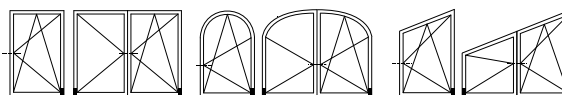


Hinge for PVC



Description

Female component of the bottom hinge, to apply to the sash rebate. Zamak body with vertical and pressure adjustment grub screws on the sash.

Application

For PVC Tilt&Turn windows/doors with 1 or 2 sashes with hinge fixed on the rebate. It must be coupled with a hinge support.

Adjustments

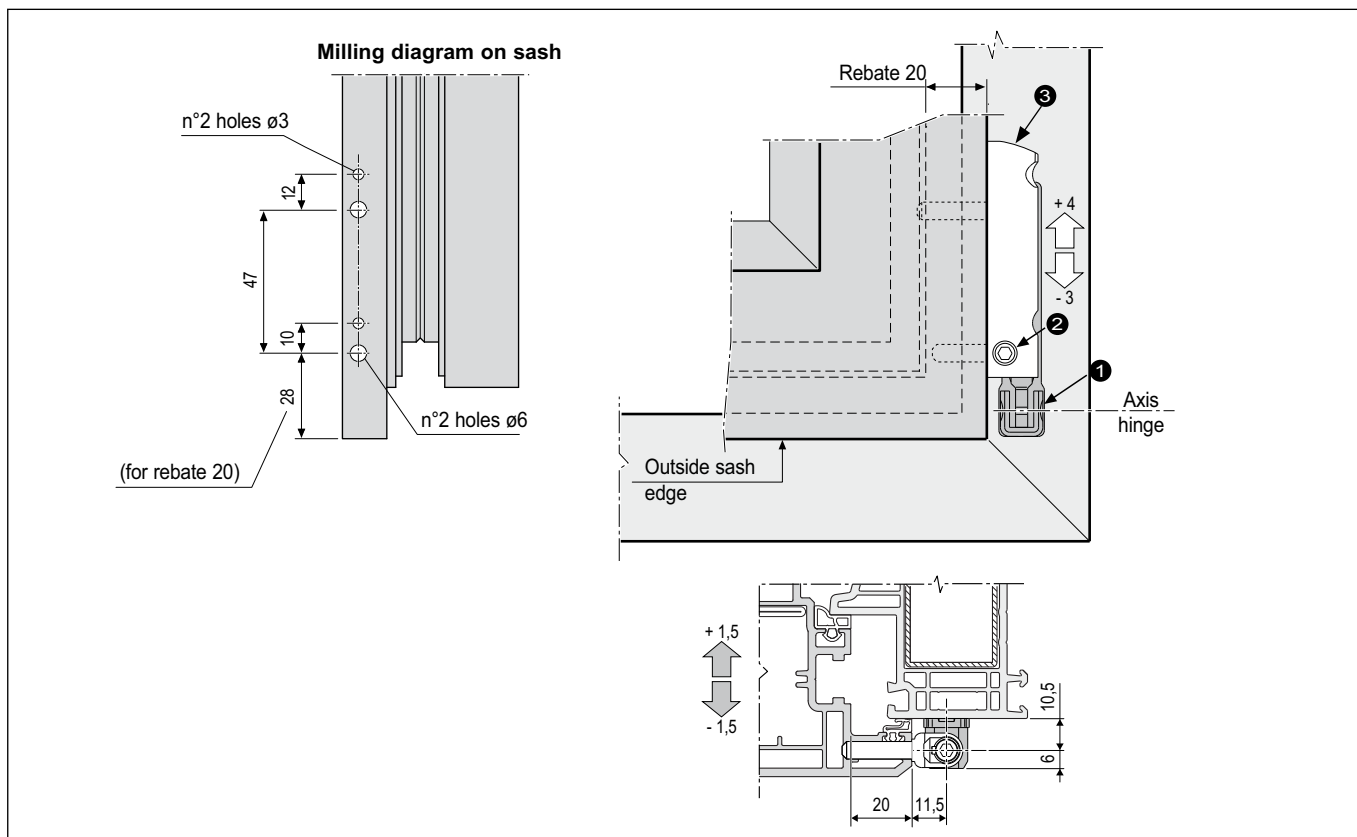
The following sash adjustments can be made using a 4 mm hexagonal wrench:

- 1 horizontal adjustment (on hinge support);
- 2 pressure adjustment $\pm 1,5$ mm;
- 3 vertical adjustment $+4/-3$ mm.

Mounting

3.5/4.3x25 mm screws, with thread suited to material used for frame construction.

Attention: jig A52099.01.01 is available for drilling the housing holes on the sash.



Order Specifications

Article	
A50922.07.00	