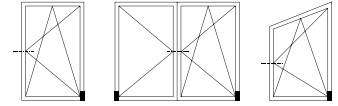
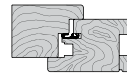
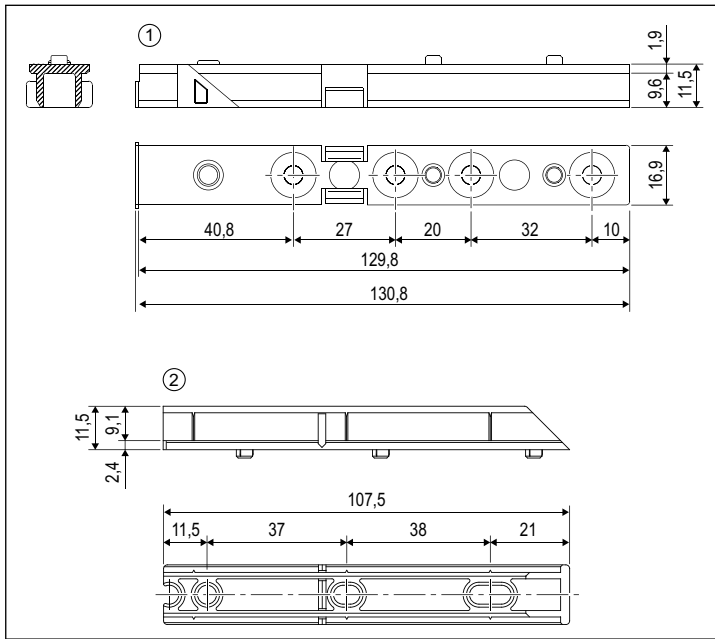


Adapter for eurogroove 16/12



Description

Shim for eurogroove 16/12 in plastic.

Application

Use with stay hinge for semi-fixed sash A51001.XX.XX to compensate the eurogroove 16/12 milling. Don't use it with the corner hinge.

Mounting

Snaps into place with the 3 pins accommodated in the "L" of the corner.

Order Specifications

Ref.	Article	
①	A50999.00.01	For stay hinge
②	A50999.00.00	For corner hinge

