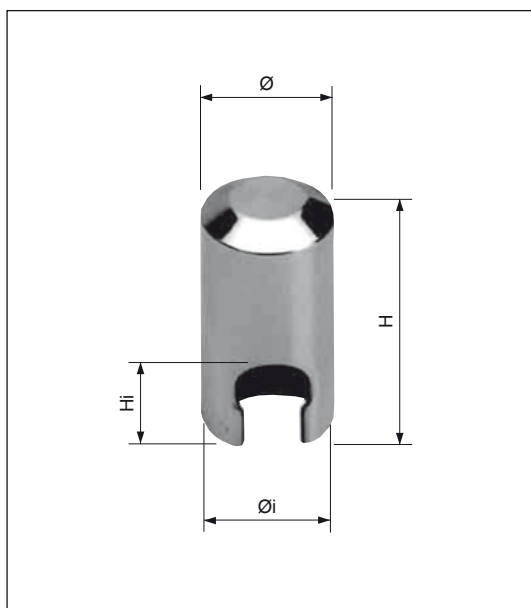


## Covers



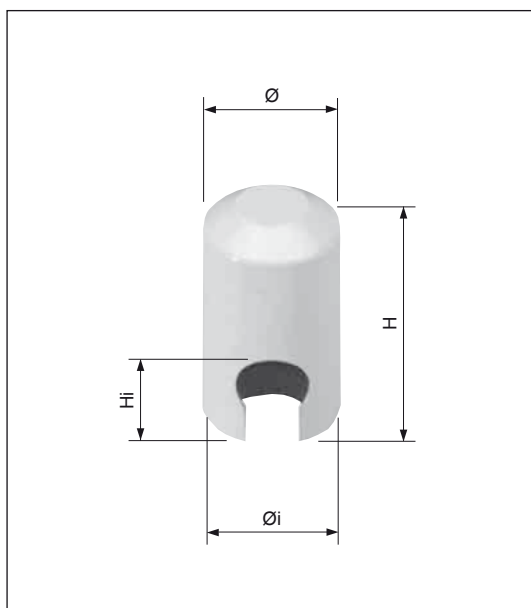
Flat, for mod. 119-113-116-117-118-120-156, surface-mounted on timber systems

## Order Specifications

Material	Article	$\varnothing$	$\varnothing_i$	H	$H_i$
BRASS	E00122.13.XX	14	13	25,5	10,5
	E00122.14.XX	15	14	27,5	11,5
	E00122.16.XX	17	16	30,5	11

**NB.** Refer to the price list in force to check the availability of the finishes.

## Covers



Flat, for mod. 119-113-116-117-118-120-156, surface-mounted on timber systems

### Order Specifications

Material	Article	$\varnothing$	$\varnothing i$	H	$H_i$
ABS	E00123.13.XX	14,5	13	22,5	10
	E00123.14.XX	15,5	14	25	11

**NB.** Refer to the price list in force to check the availability of the finishes.