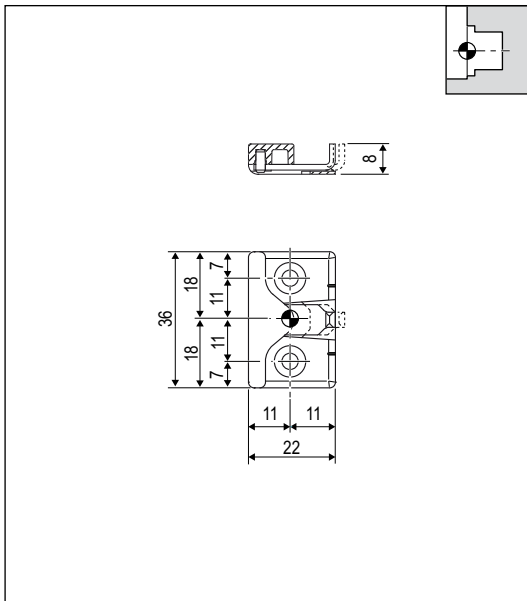
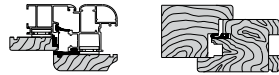


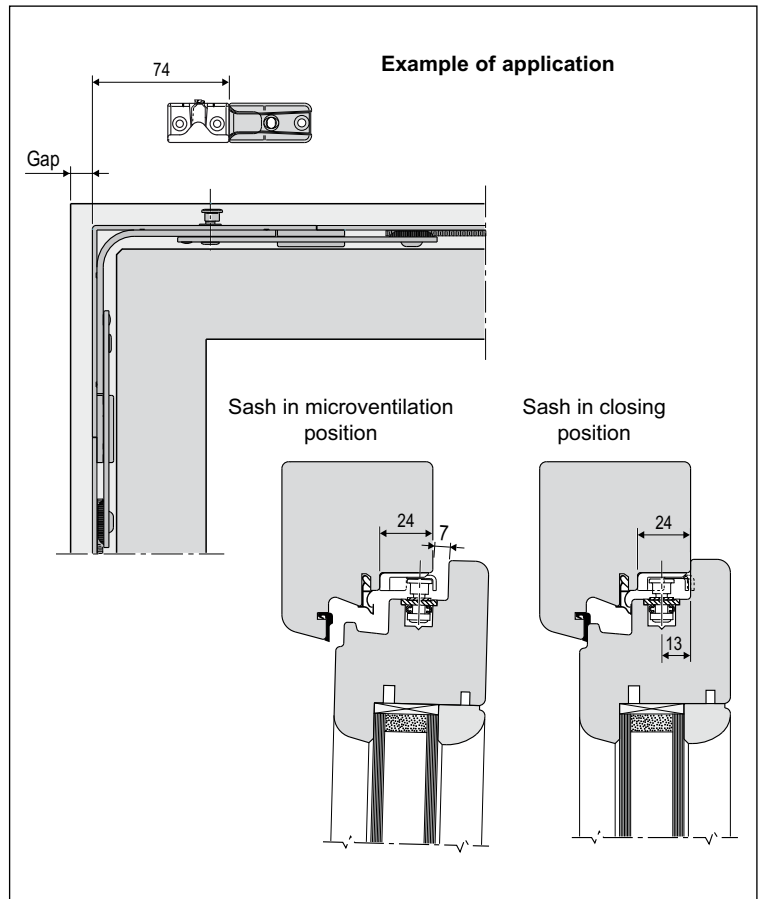
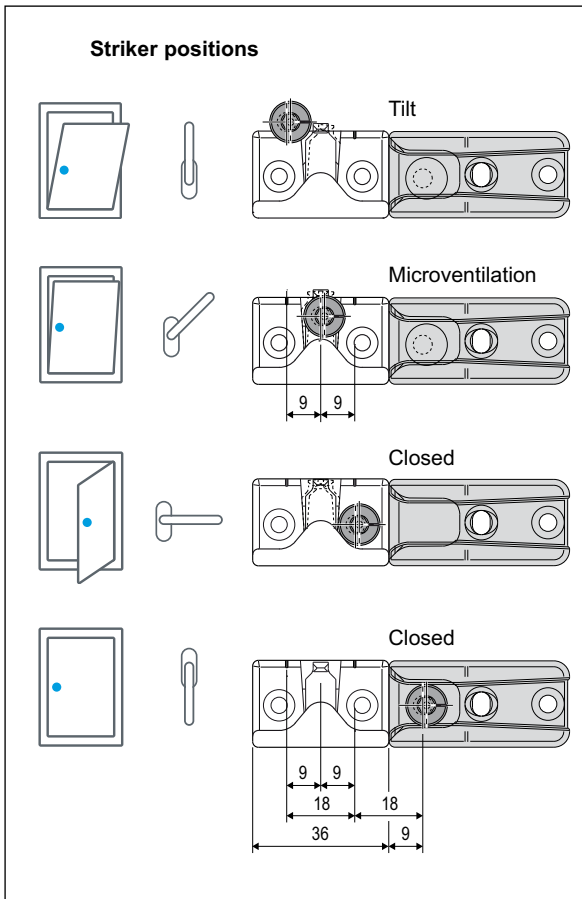
Microventilation cam



Gap 12 mm, axis 13 mm, 24 mm seat



Opening system	Tilt & Turn
Stroke	18+18 mm
Material	Zamak + steel
Mounting	Aluminium-wood: N° 2 3.5/4.3x25 mm screws, with thread suited to material used for frame construction. Wood: N° 2 3.5x35 mm to 4x40 mm screws.
Application	In combination with the standard corner drive to obtain micro-ventilation opening. It can't be used with steel strikers A514DX.CR.67 and A514DX.CR.68.



Order Specifications

Article	Dimensions mm
A51400.CR.24	22x36x8