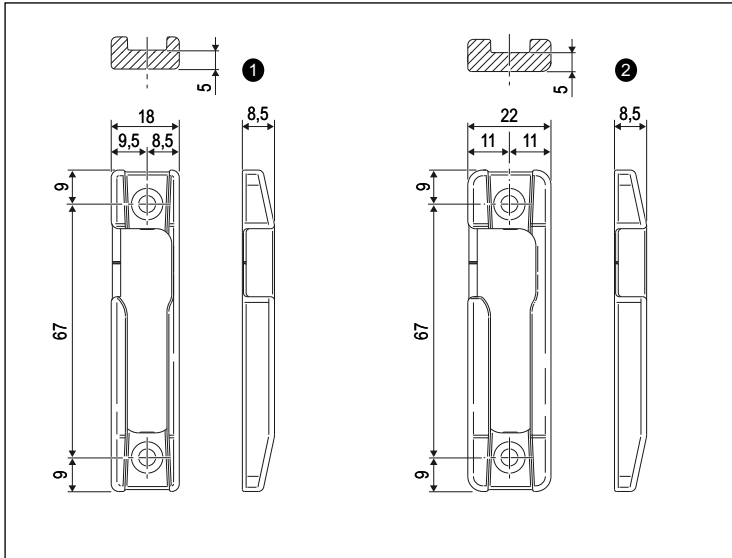
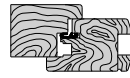


# Tilt striker with concealed screws for TBT (Tilt Before Turn)



Gap 12 mm, axis 9 and 13 mm, seat 18 and 24 mm



Opening	Tilt&Turn, 1 and 2 sashes
Stroke	18 +18 mm
Material	Zamak
Fastening	No. 2 4x40 mm standard screws

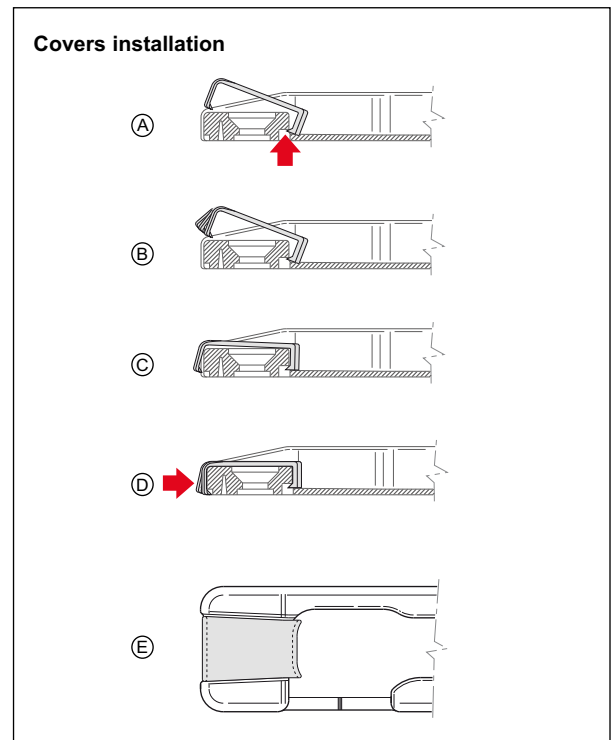
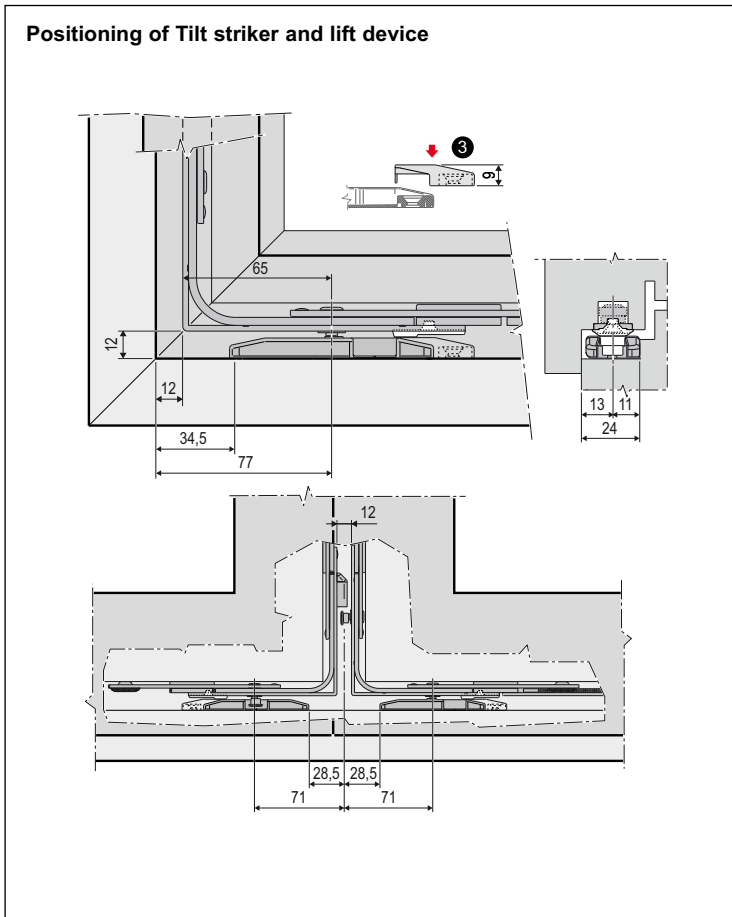
### Description

Tilt striker with possibility to apply the clips for screw covers, specific for Tilt-Turn windows, that is to say Tilt Before Turn openings.

### Use

The striker, placed on lower jamb of the first sash in correspondence of the corner drive cam, allows the tilt position with 90° handle and the simple opening with 180° handle. If there is a specific handle with key, this solution is suitable for public places (schools, rest homes, etc.) where the sash opening is allowed to authorised staff only, by using a key.

**Note.** The striker can't be used for second sash.



### Order specifications

Ref.	Article	Type	Description
①	A514DX.05.58	rh	Axis 9
①	A514SX.05.58	lh	Axis 9
②	A514DX.CR.58	rh	Axis 13
②	A514SX.CR.58	lh	Axis 13
③	A52103.01.XX		

**Note.** Refer to the price list in force to check the availability.