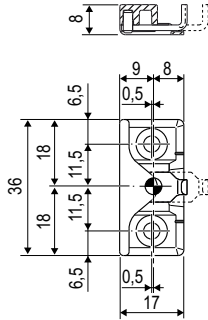
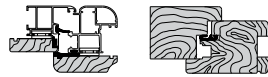
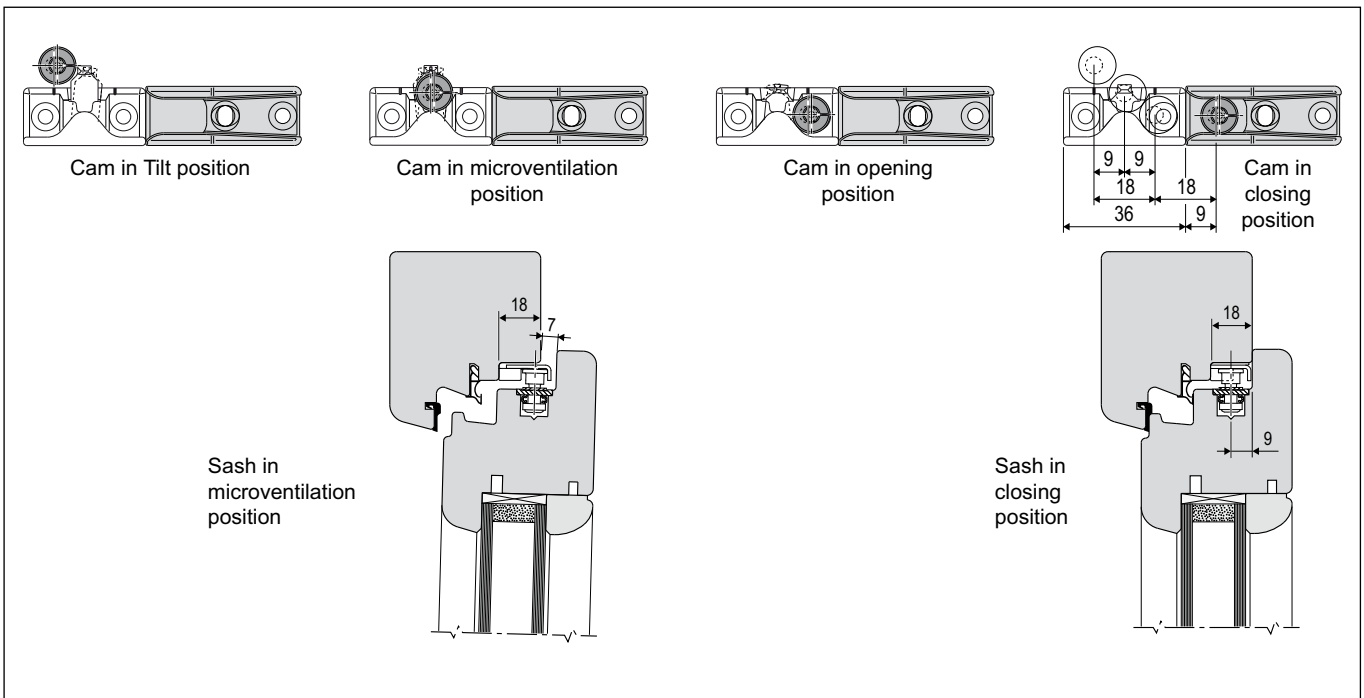
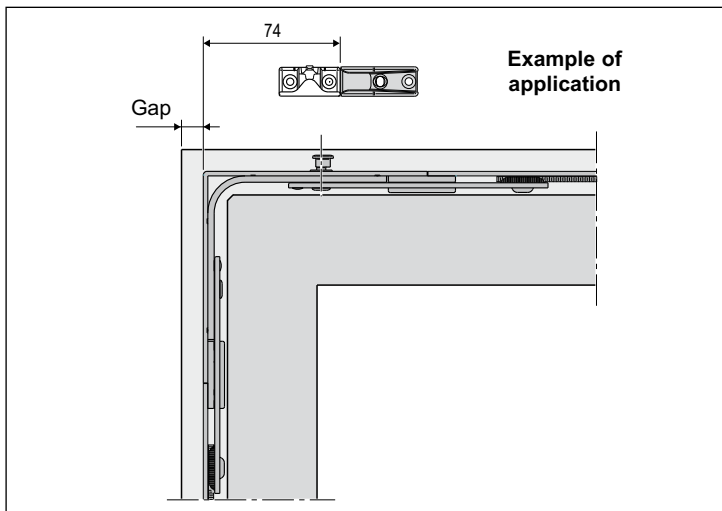


Microventilation cam

Gap 12 mm, axis 9 mm, 18 mm seat



Opening system	Tilt&Turn
Stroke	18+18 mm
Material	Zamak + steel
Mounting	Aluminium-wood: N° 2 3.5/4.3x25 mm screws, with thread suited to material used for frame construction. Wood: N° 2 3.5x35 mm to 4x40 mm screws.
Application	In combination with the standard corner drive to obtain microventilation opening. It can't be used with anti-burglar steel strikers A514DX.05.67 and A514DX.05.68.



Order Specifications

Article	Dimensions mm
A51400.05.24	17x36x8