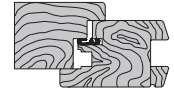


# Electric striker, 18x243 mm width gap 12 mm - spring latch+bolt



## Description

Steel striker with square ends, 18 mm wide, 243 mm long. Suitable for both right and left-handed Uses (see code table). Available on half and long lip, electric striker 8-12V on AC or DC with internal repeater.

## Application

Use in combination with Sicurtop locks, on timber frame doors.

## Fastening

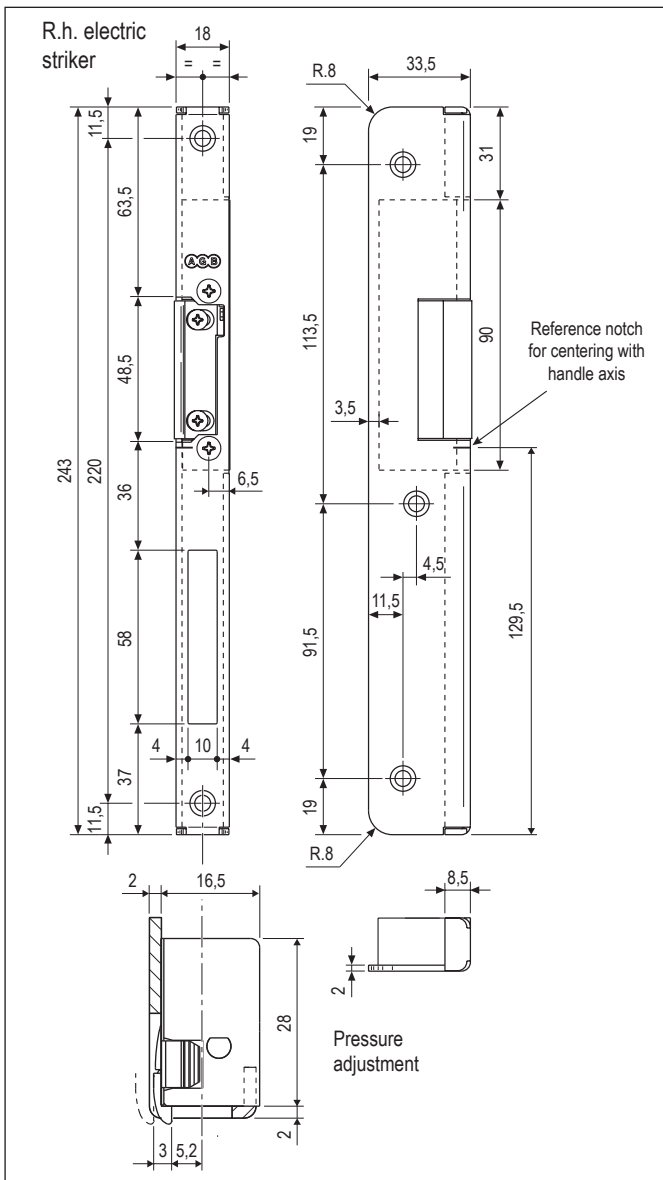
Mill the frame according to the dimensions indicated on the drawing. Apply the striker flush to the edge of the frame. Fasten with 4x25 mm screws.

**Note.** "R.h." and "l.h." refer to pull doors according to DIN 107 regulation. Refer to price list in force in order to check the availability of the finishes.

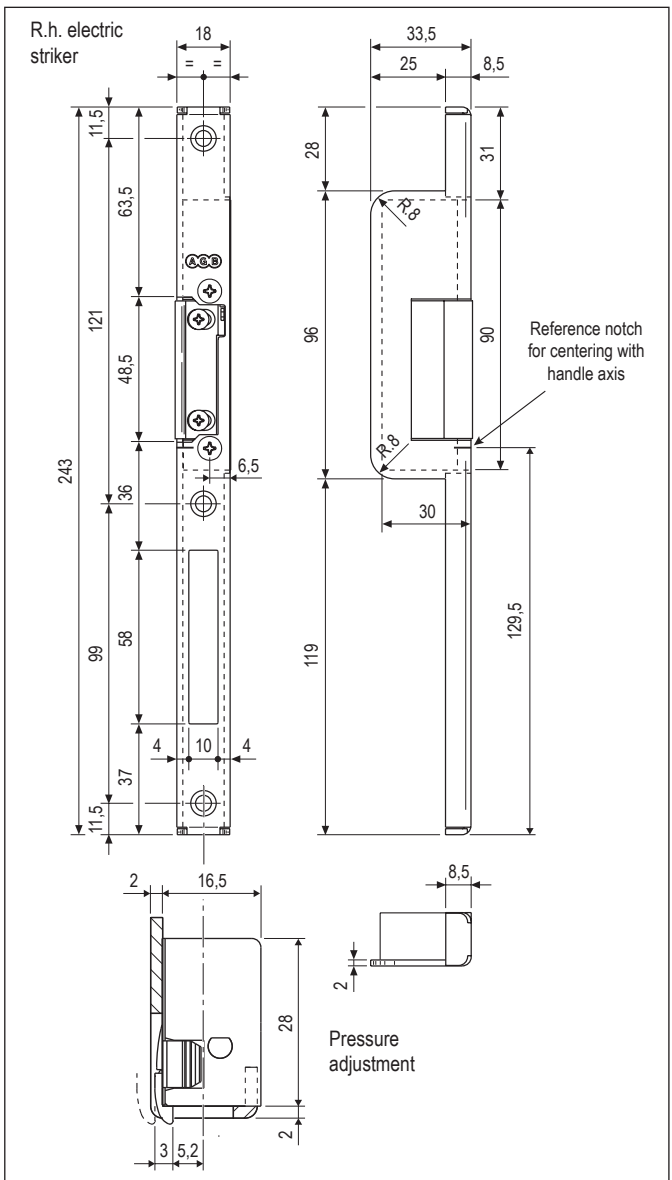
**Repeater:** it is an internal device which stores the pulse and keeps the movable part of the device unlocked until the door is opened and then closed again. When using badge readers or similar temporised for more than 3 seconds, we recommend to use electric strikers without repeater.

**Manual release lever:** it allows to keep the door constantly unlocked.

## Long lip



## Half lip



## STEEL - U18 with electronic device

Article	Type	Version
W97004.05.01	r.h.	with manual release lever and electronic device with repeater
W97104.05.01	l.h.	with manual release lever and electronic device with repeater

## STEEL - U18 with electronic device

Article	Type	Version
W98004.05.01	r.h.	with manual release lever and electronic device with repeater
W98104.05.01	l.h.	with manual release lever and electronic device with repeater

Electronic device data table	Tension	Extended power	Nominal resistance	≡ DC absorption (stabilized)	~ AC absorption	Max latch preloading ≡ DC (stabilized)	Max latch preloading ~ AC	Antiburglar resistance
	12V ±1V	-	7,7 Ω	1560 mA	1100 mA	30N	120N	3000N