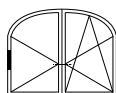
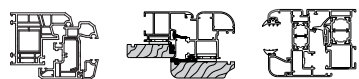


Surface mounted central adjustable loading hinge for arched window



Description

Surface mounted loading hinge for arched window, non-handed and adjustable in pressure and in height.

Application

It can be used for arched windows with two sashes, coupled with the stay support, maintaining the symmetry with the support of the active sash.

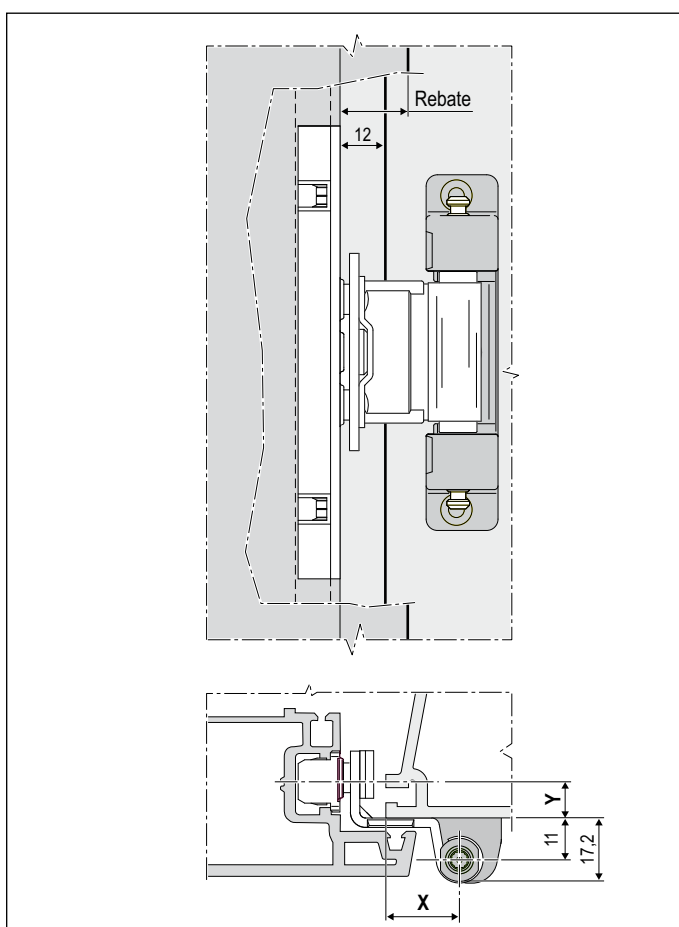
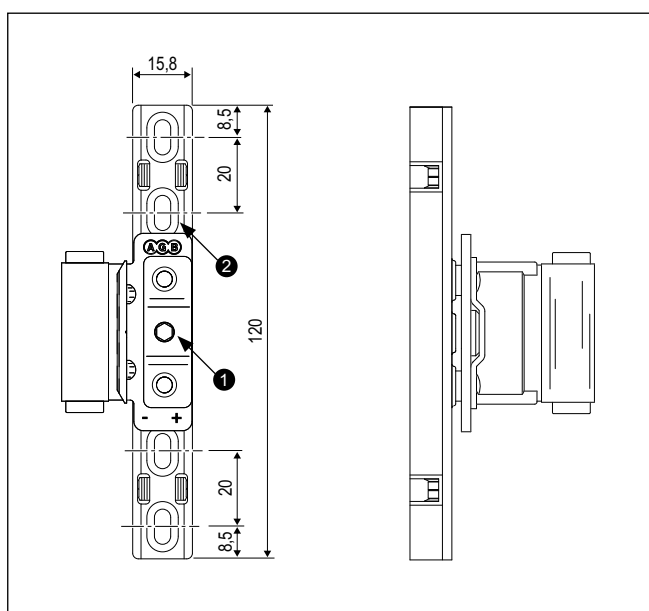
Adjustment

The following adjustments are possible:

- ① 1 mm pressure adjustment by unscrewing the grub screw and rotating the zamak support 180°.
- ② ±2,5 mm height adjustment by loosening the fixing screws in the slots of the support plate. Acting on the stay support, you can obtain a 4 mm pull horizontal adjustment of the window.

Mounting

3.5/4.3x25 mm screws, with thread suited to material used for frame construction.



Order Specifications

Article	Y	Rebate	X
A51113.24.02	9	18	17,5
A51113.26.02	9	20	19,5
A51113.28.02	9	22	21,5
A51113.34.02	13	18	17,5
A51113.36.02	13	20	19,5
A51113.38.02	13	22	21,5
A51113.46.02	26	20	19,5