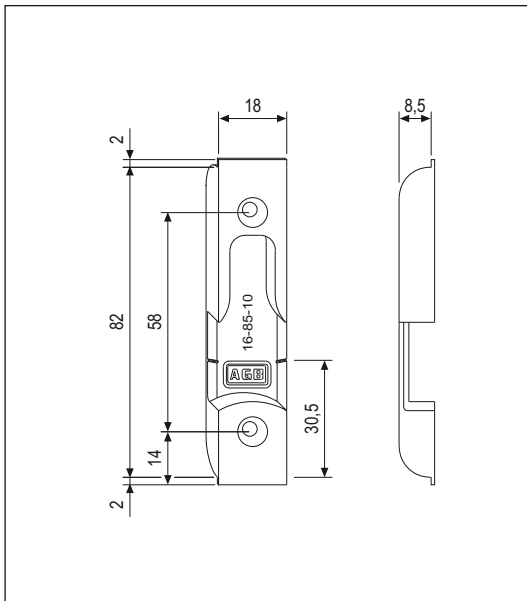
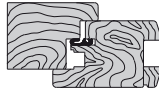


 **Roller cam**



Gap 4 mm - 16 mm faceplate



Door type	Single or double-sash entrance doors.
Assembly	Prepare 82x18x8,5 milling on doors with gap 4 mm, using jig F01700.01.05.
Material	Die-cast Zamak.
Mounting	Use 3,5x30 mm screws or 4x30 flathead screws.
Application	For Sicurtop with 16 mm faceplate. Installed on the side jamb or second sash stile, they are suitable for the roller cams.

Order Specifications

Article	Dimensions mm
W01692.01.02	18x82x8,5