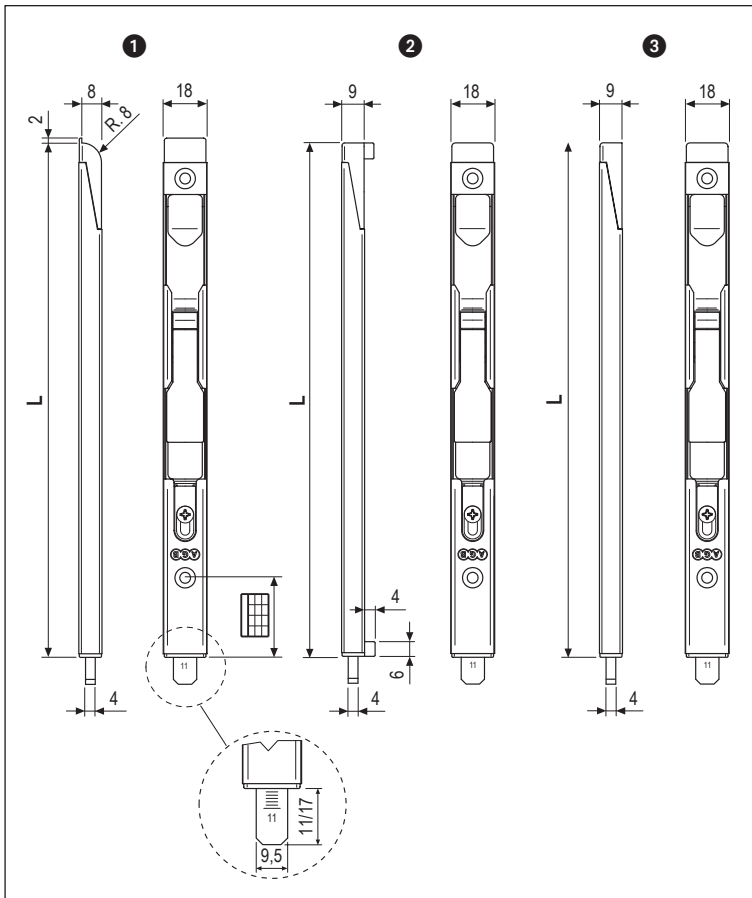


Lever-operated upper and lower bolts for Sicurtop - adjustable push rod



- ❶ gap 4 mm
- ❷ gap 11 mm
- ❸ gap 12 mm

Description

Lever-operated upper and lower bolts. 9,5 mm steel push rod with 11 to 17 mm adjustable throw.

Application

For double sash timber and aluminium/timber entrance doors. Used in combination with Sicurtop multipoint locks. Only the 210 mm version can be used as a lower bolt.

Mounting

Use 3.5x25 mm screws.

NB. Used with adjustable strikers for two-handed push rods with gap 4 mm, art. W01697.01.13 (with the side marked n°4 facing the opening direction), gap 11/12 mm art. W01697.06.13.

Screw hole position

Ref.	L	A-B Ref.			
		1°	2°	3°	4°
❶	210	32,5	195,5		
	300	32,5	122,5	285,5	
	400	32,5	222,5	385,5	
	600	32,5	232,5	422,5	585,5
❷	210	32,5	195,5		
	300	32,5	122,5	285,5	
	400	32,5	222,5	385,5	
	600	32,5	232,5	422,5	585,5
❸	210	32,5	195,5		
	300	32,5	122,5	285,5	
	400	32,5	222,5	385,5	
	600	32,5	232,5	422,5	585,5

Order Specifications

Ref.	Article	Gap	L
❶	W20067.01.01	4	210
	W20067.01.02	4	300
	W20067.01.03	4	400
	W20067.01.04	4	600
❷	W20067.02.01	11(8+5)	210
	W20067.03.01	11(8+6) rh	210
	W20167.03.01	11(8+6) lh	210
	W20067.04.01	11(8+7) rh	210
	W20167.04.01	11(8+7) lh	210
	W20067.02.02	11(8+5)	300
	W20067.03.02	11(8+6) rh	300
	W20167.03.02	11(8+6) lh	300
	W20067.04.02	11(8+7) rh	300
	W20167.04.02	11(8+7) lh	300
	W20067.02.03	11(8+5)	400
	W20067.03.03	11(8+6) rh	400
	W20167.03.03	11(8+6) lh	400
	W20067.02.04	11(8+5)	600
	W20067.03.04	11(8+6) rh	600
	W20167.03.04	11(8+6) lh	600
W20067.04.04	11(8+7) rh	600	
W20167.04.04	11(8+7) lh	600	
❸	W20067.05.01	12	210
	W20067.05.02	12	300
	W20067.05.03	12	400
	W20067.05.04	12	600

