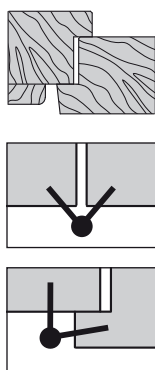


# Mod. 118



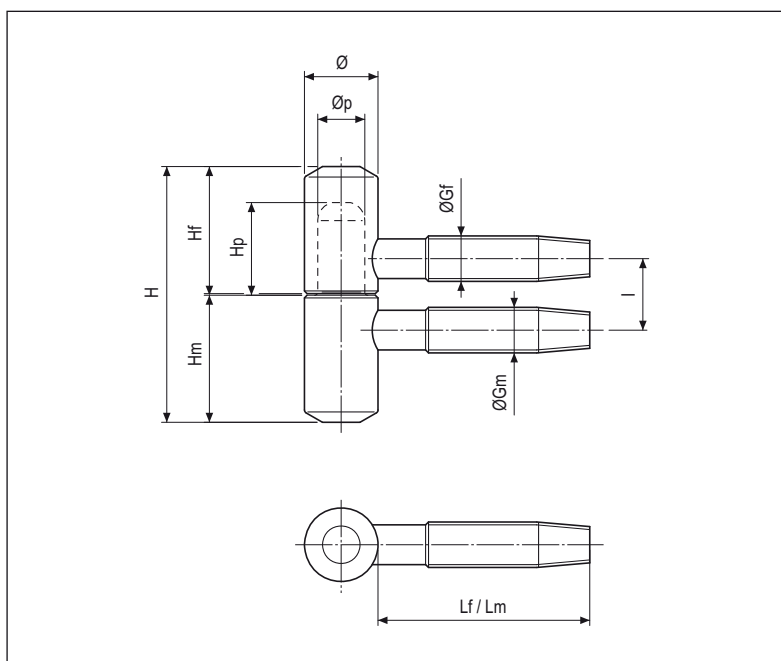
### TOOLS FOR THE INSTALLATION (see the "JIGS" chapter)

#### Installation on the rebated frame

- Guide tooling box article code E00112.XX.01
- Guide tooling kit article code E00144.XX.01
- Single jig article code E00139.XX.01
- Jig rod for windows article code E00136.00.01/02 (r.h./l.h.)
- Jig rod for doors article code E00136.00.05/06 (r.h./l.h.)

#### Installation on the flush frame

- Guide tooling box article code E00115.XX.01
- Guide tooling kit article code E00138.XX.01
- Single jig article code E00133.XX.01
- Jig rod for windows article code E00136.00.03/04 (r.h./l.h.)
- Jig rod for doors article code E00136.00.07/08 (r.h./l.h.)



### Hinges measures

Dimension	Diameter (Ø)		
	13	14	16
H	44,5	48,5	53,5
l	12,5	13,5	14,5
Hm	22	24	26,5
Hf	22	24	26,5
Øp	8,4	8,9	10,4
Hp	16,1	17,5	18,6
ØGm	7,8	8,3	8,8
Lm	36	40	46
ØGf	7,8	8,3	8,8
Lf	36	40	46

### Order specifications

Material	Article
STEEL	E00118.13.XX
	E00118.14.XX
	E00118.16.XX

**NB.** Refer to the price list in force to check the availability of the finishes.

### Available covers

Mod. Standard 	<b>BRASS:</b> Art. E00122 for ø13-14-16 mm
	<b>ABS:</b> Art. E00123 for ø13-14 mm
Mod. Rounded 	<b>ABS:</b> Art. E00137 for ø13-14 mm
	<b>ALUMINIUM:</b> Art. E21000 for ø13-14 mm
Baroque style 	<b>BRASS:</b> Art. E00134 for ø13-14 mm

**NB.** For the dimensions, finish and all the codes, see the "Covers" chapter.