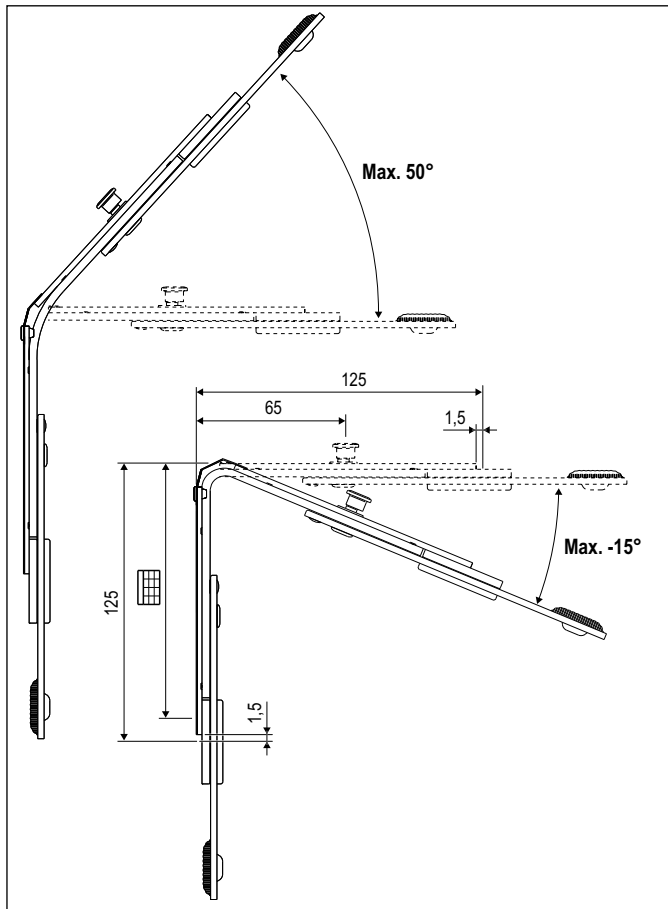
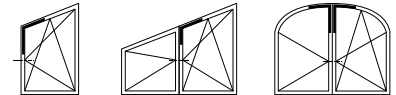


GR2 - 125x125 with 1 cam, for arched and angled windows



Description

Variable corner connection element that transmits the movement from the jamb side to the sash transom.
As standard, adjustable mushroom cam $\pm 1,5$ mm in height ± 1 mm in pressure with a 4 mm Allen wrench, 18+8 mm stroke.

Application

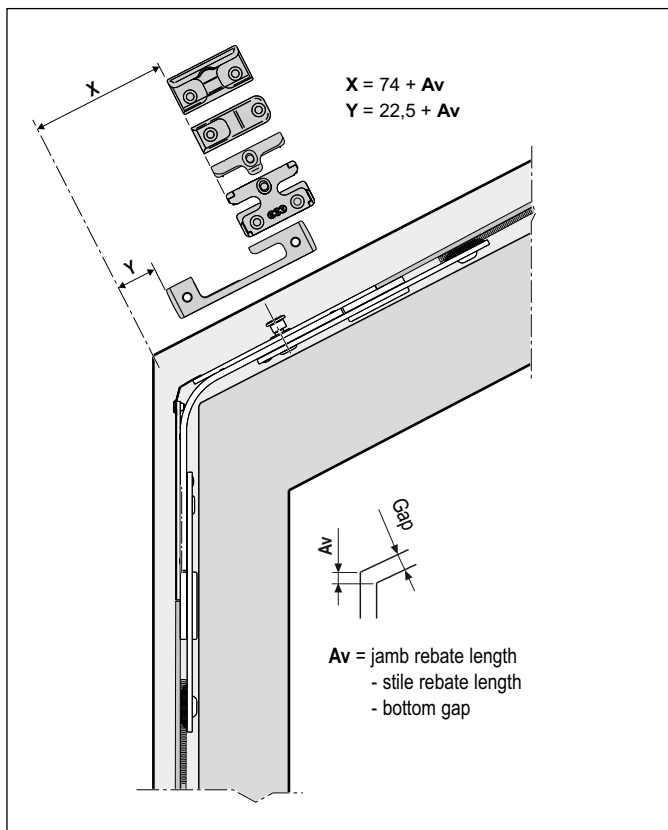
For tilt and turn angled windows with one or two sashes; for tilt and turn arched windows with 2 sashes; to install above the espagnolette or extensible bolts to have a locking point on the transom side.
The movement may be suited for frames with an inclination varying from $+50^\circ$ to -15° .
A cover plate is mounted near the corner joint and it must be bent as needed after installation. In the arched windows, it can be used only for real or lowered arches.

Mounting

For PVC/Aluminium-wood/Aluminium Euro-groove doors/windows: 3.5/4.3x25 mm screws with thread suited to the material used for frame construction; for wooden doors/windows: 3.5x35 mm to 4x40 mm screws.

Screw hole position

GR2		
	Ref B-A	Ref B-C
1°	107	107
2°	131	131



Application range of the connectable components [mm]

GR	SRH				LBT (*)	
	Espagnolette with fixed handle height		Variable espagnolette		Stay arm	
	Min.	Max.	Min.	Max.	Min.	Max.
1	440	620	540	710	362	490
2	610	810	660	860	476	604
3	794	1010	820	1220	594	804
4	994	1210	1190	1610	794	1004
5	1194	1410	1590	2010	994	1204 *
6	1394	1610	1890	2510		
7	1594	1810				
7bis	1634	1810				
8	1794	2110				
9	1994	2310				
10	2194	2510				

(*) LBT is the measurement of the inclined sash rebate.

* Use of extensions excluded

Order Specifications

GR	Article		
2	A50304.01.01	123,5x123,5	1