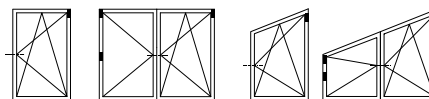
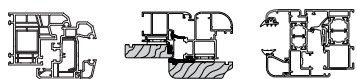


Surface mounted stay support with $\varnothing 3$ or $\varnothing 6$ mm pins



Description

Non-handed stay support, with $\varnothing 3$ or $\varnothing 6$ mm positioning pins.
 Designed to be coupled with pin A50790.00.00 and surface mounted corner hinge.
 Designed to have holes in symmetry with corner hinge supports.

Mounting

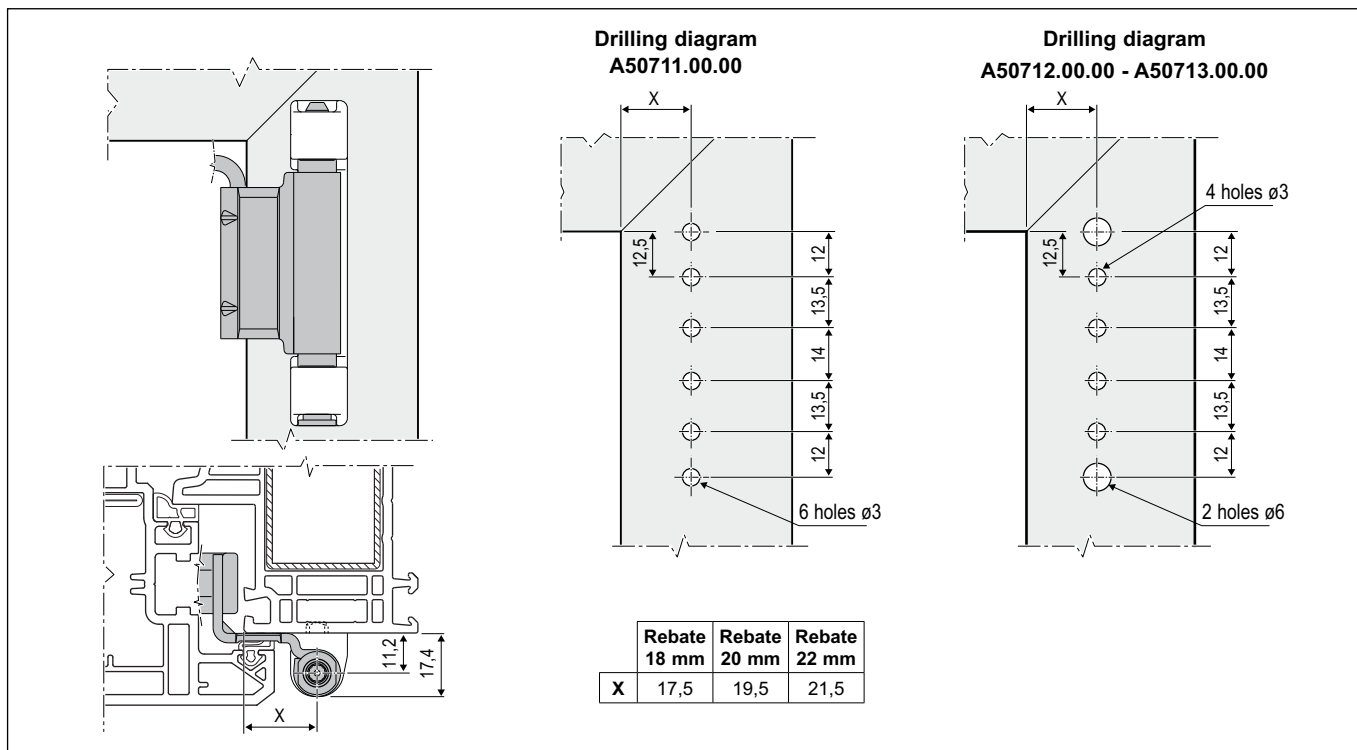
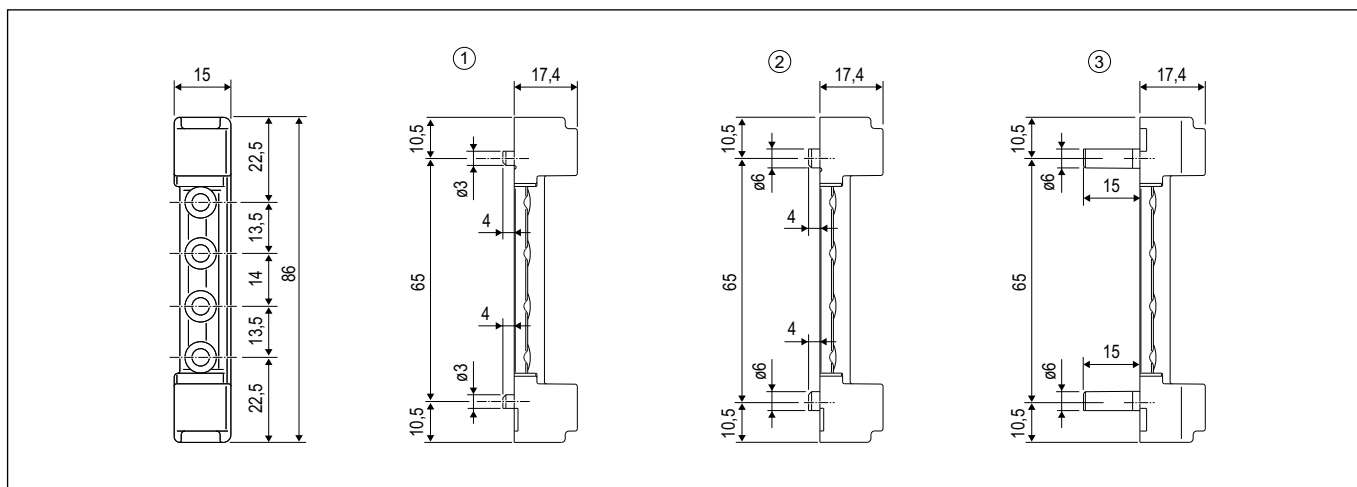
3.5/4.3x25 mm screws, with thread suited to material used for frame construction.

All 4 screws need to be fastened in the metal reinforcement.

Note. For drilling the holes use jig A52099.00.01 for 3 mm pins and A52099.00.02 for 6 mm pins.

Application

- Can be coupled with the following articles:
- stay arm for rectangular and angled sashes;
 - top stay hinge arm;
 - loading central hinge.



Order Specifications

Ref.	Article	Description
①	A50711.00.00	Stay arm support with pin $\varnothing 3 \times 3$ mm
②	A50712.00.00	Stay arm support with pin $\varnothing 6 \times 3$ mm
③	A50713.00.00	Stay arm support with pin $\varnothing 6 \times 15$ mm