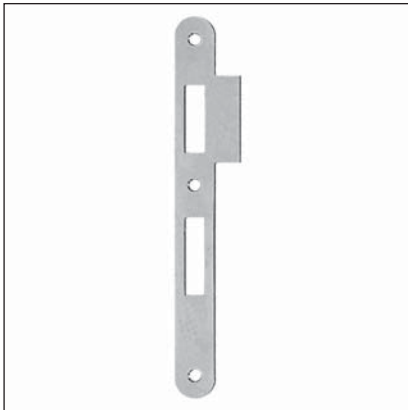


20x188 mm striker - round ends with square lip



Description

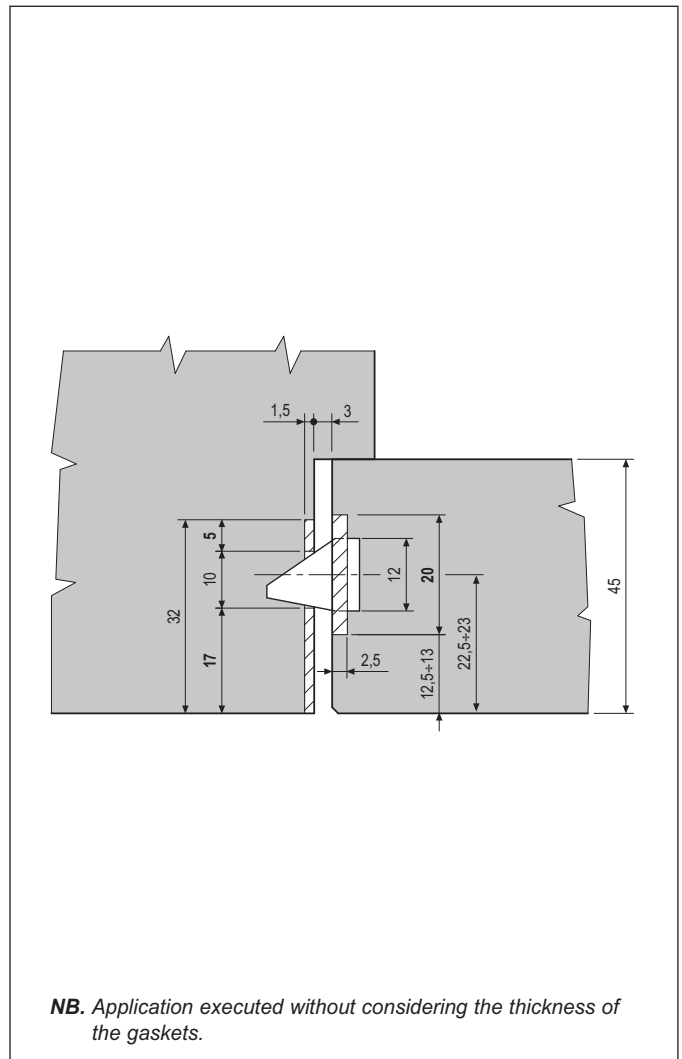
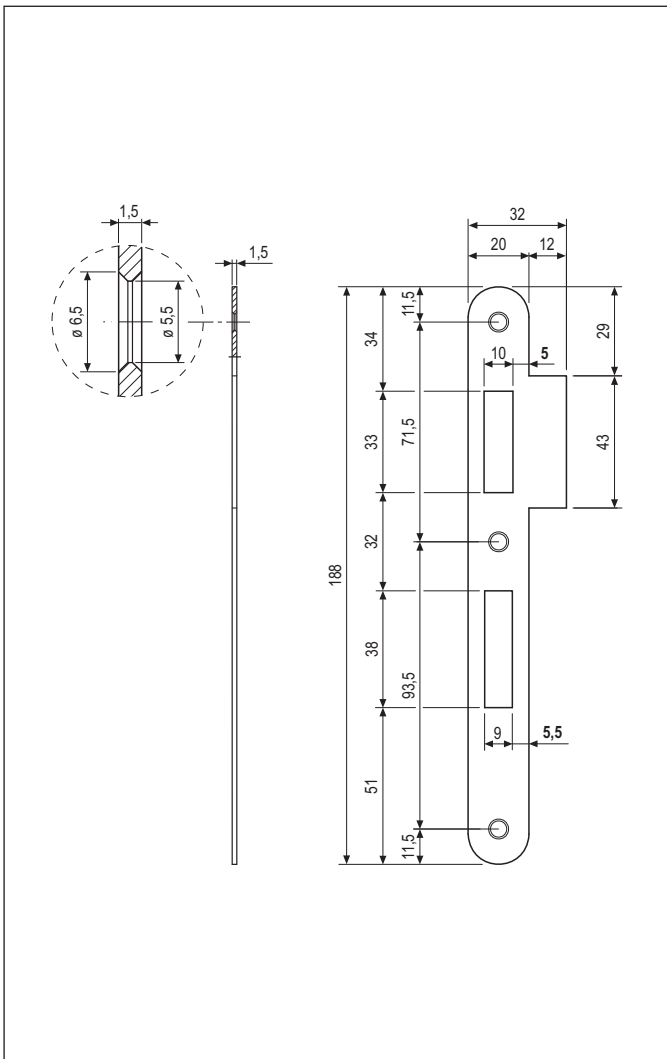
Steel or brass striker with round ends. Dimensions match lock forend: 20 mm wide - 188 mm long. 12-mm square lip for jamb protection in the area where spring latch strikers. Suitable for both right and left-handed applications.

Application

Used in combination with a Patent Piccola lock, on interior flush doors with timber frame.

Mounting

Mill the frame according to the dimensions shown in the diagram. Install the striker with the lip flush with the edge of the frame. Fasten with three 2,5x16 mm screws.



NB. Application executed without considering the thickness of the gaskets.

Order Specifications

Material	SALES CODE		
	Ref.	Model	Finish code
STEEL	B00570	20	XX
BRASS	B00570	21	XX

NB. Refer to the price list in force to check the availability of the finishes.