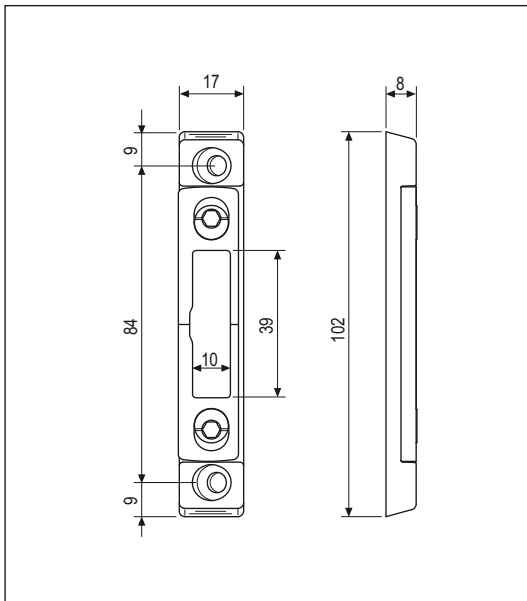
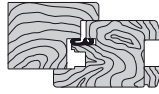


 **Adjustable** - Push rods $\varnothing 9,5$ mm



Gap 12 mm



Door type	Double-sash entrance doors.
Adjustment	± 1 mm using a 4 mm Allen wrench.
Assembly	Surface-mounted on gap 11 and 12 mm.
Material	Zamak body, adjustment plate made of double rolled steel section.
Mounting	Use two 3,5x30 mm screws.
Application	For double-sash doors fitted with Sicurtop locks or bolts with 9,5 mm push rod. Also suitable for use with Unitop.

Order Specifications

Article	Dimensions mm
W01697.06.13	17x102x8