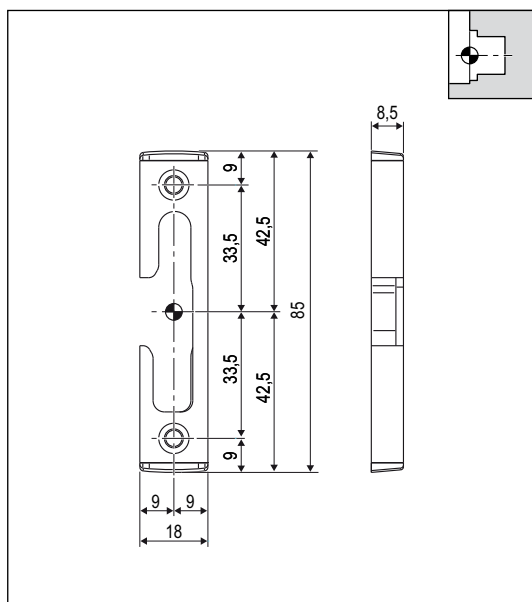
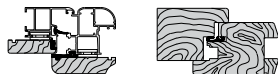


Tilt



Gap 12 mm, axis 9 mm, 18 mm seat, hole straight



Opening system	Tilt&Turn
Stroke	18+18 mm
Material	Steel and plastic
Mounting	Aluminium-wood: N° 2 3.5/4.3x25 mm screws, with thread suited to material used for frame construction. Wood: N° 2 3.5x35 mm to 4x40 mm screws.

Order Specifications

Article	Type	Dimensions mm
A514DX.05.65	rh	18x85x8,5
A514SX.05.65	lh	18x85x8,5