

# Snap-in rail for “C” track rail and low cover threshold with thermal brake

**Description**

Anodized aluminium profile.

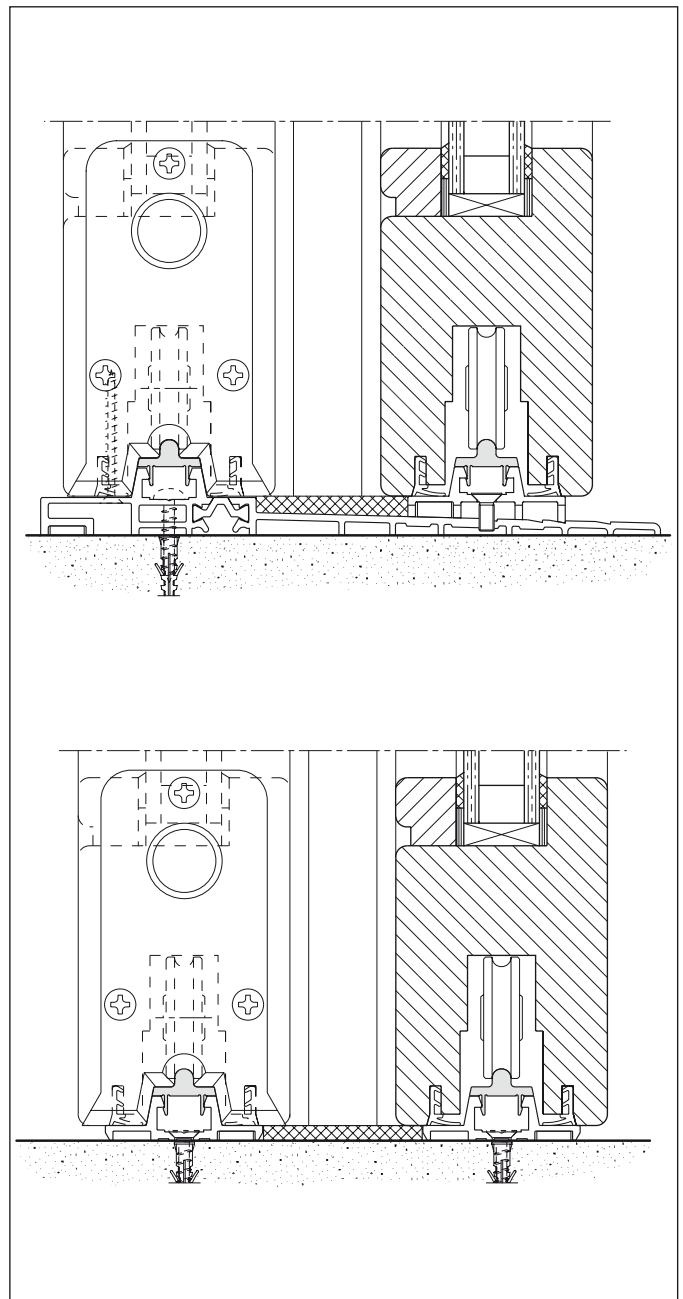
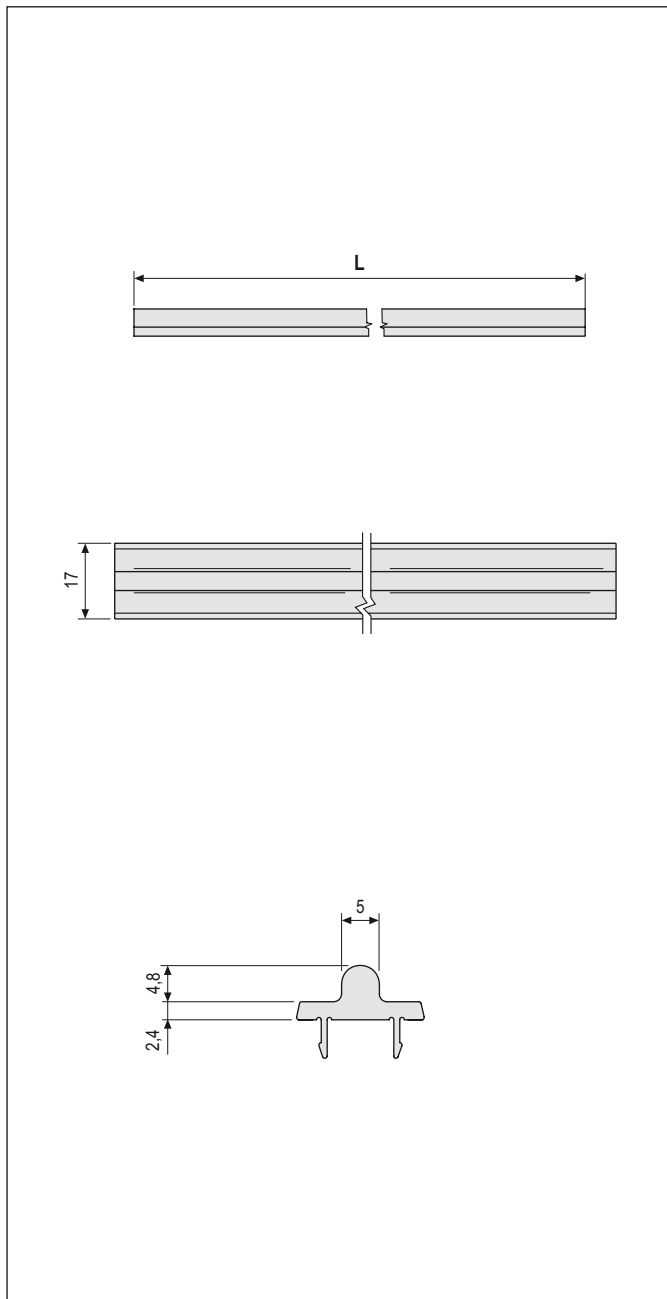
with a new one.

**Mounting**

Snap-in.

**Application**

Snapped in the “C” track or in the low cover threshold with thermal brake, it is used as rail on which the carriages slide. The main advantage of this system is aesthetic as the fastening screws are hidden by the rail and, in case of deterioration, it can be replaced



**Order Specifications**

GR	L	Aluminium Silver		Aluminium Brown	
		Article	Finish code	Article	Finish code
1	3000	G02739.01.01	AF1	G02739.01.02	AF5
2	4000	G02739.02.01	AF1	G02739.02.02	AF5
3	5000	G02739.03.01	AF1	G02739.03.02	AF5
4	6000	G02739.04.01	AF1	G02739.04.02	AF5