

# Round/square ends with key lock, 70 mm centre, 20 mm forend



### Description

Embedded lock with spring latch and bolt. 70 mm centre. 20 mm forend with round or square ends. Seven backsets available, 25 to 60 mm, and 4 mixed differs. Made entirely of steel with patented co-moulded selflubricating latch and steel bolt or with brass forend, spring latch and bolt. Reversible spring latch. Case with holes for handle installation using through screws (only for backsets 50 mm).

### Application

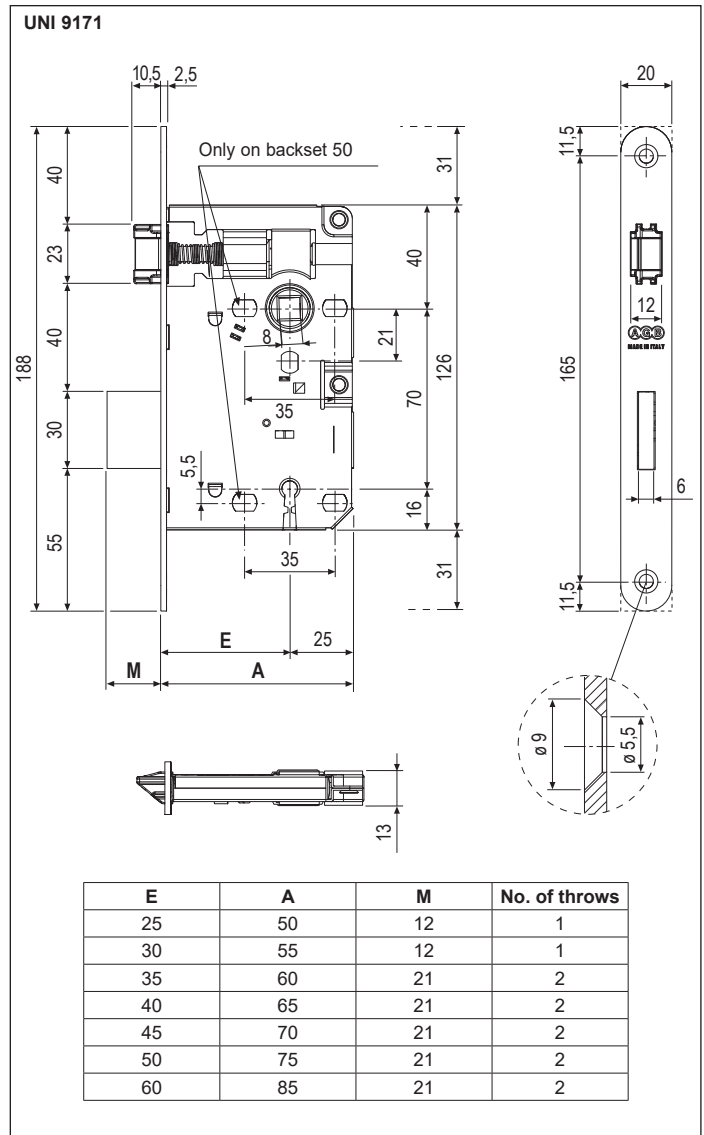
For interior timber doors.

### Mounting

Prepare cutout and mill the panel according to the dimensions shown in the diagram. Fasten with 2 screws, 4 mm diameter, of suitable length. To reverse the spring latch, push it out of the forend by pushing with a screwdriver against the screw on the back, then rotate it.

For 25 mm backset, unscrew the screw, turn the latch and screw it again.

**NB.** Each lock comes with a key. Special packagings with only one key differ inside are available on request for industrial applications. The striker, selected according to the construction type, must be ordered separately.



### Order Specifications

Material	SALES CODE			Key icon
	Ref.	Backset	Finish code	
STEEL	B00571	25-30-35-40-45-50-60	XX	4
BRASS	B00573	40-45-50-60	XX	4

### Order Specifications

Material	SALES CODE			Key icon
	Ref.	Backset	Finish code	
STEEL	B00572	25-30-35-40-45-50-60	XX	4
BRASS	B00574	40-45-50-60	XX	4

**NB.** Refer to the price list in force to check the availability of the finishes.