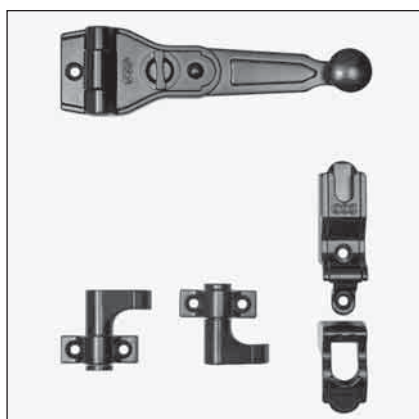


UNICA basic kit



Description

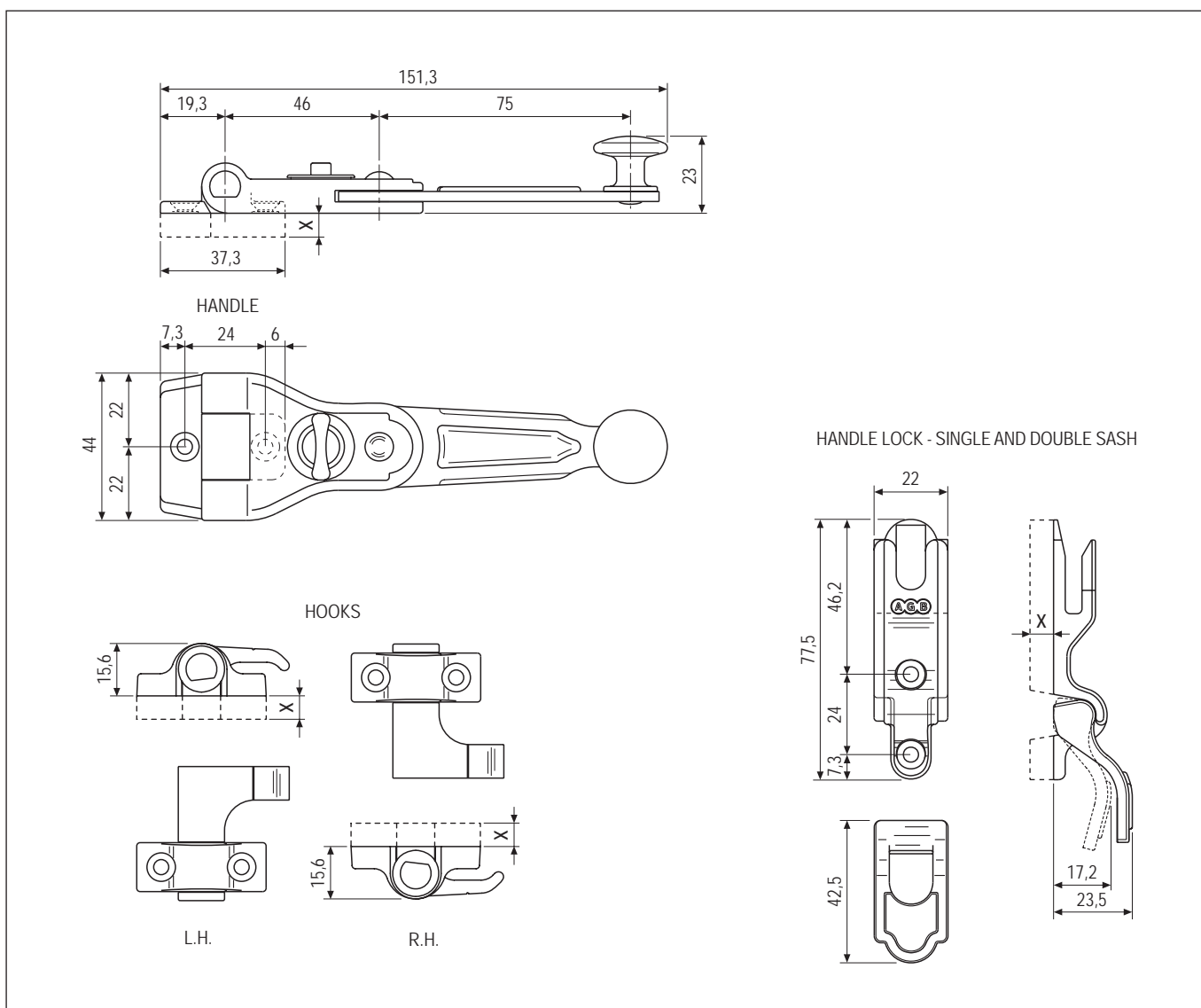
Basic kit featuring espagnolette with 180° rotation and catch suitable to 1 or 2 sashed shutters. Available in the standard version and pre-adapted with 4 or 7 mm shim for alu and PVC shutters where surmounted profiles are used.

Mounting

Use screw with suitable thread to the shutter material \varnothing 4x30.

Finish surface treatment

On basis zink plated and then a cathoresis process as a basis for a final polyester powder finish. These procedures guarantee special weather-proof and wear-resistant.



Order Specifications

Type	Article	X
UNICA	H00903.15.XX	0 mm
UNICA	H00903.17.XX	4 mm
UNICA	H00903.18.XX	7 mm

NB. Refer to the price list in force to check the availability of the finishes.